

# HEADER TRAILER



## OWNERS MANUAL

## PARTS LIST

**Sheyenne Tooling & Mfg.**

701 Lenham Ave. - P.O. Box 647

Cooperstown, ND 58425

Office (701) 797-2700

Fax (701) 797-2584

Toll Free (800) 797-1883

[www.sheyennemfg.com](http://www.sheyennemfg.com)



## Table of Contents

<b>Topic</b>	<b>Page No.</b>
<b>Table of Contents</b>	<b>1</b>
<b>Introduction</b>	<b>2</b>
<b>Serial Number Location</b>	<b>3</b>
<b>Warranty</b>	<b>4 - 6</b>
<b>Safety, Loading &amp; Securing</b>	<b>7</b>
<b>Securing (cont) &amp; Hooking to Towing Vehicle</b>	<b>8</b>
<b>Lubrication, Decals, Lights &amp; Reflectors, Brakes &amp; Suspension</b>	<b>9</b>
<b>Part Section</b>	<b>10 - 11</b>





# INTRODUCTION

***CONGRATULATIONS*** on your choice of the **Sheyenne Header Trailer** for your farm or custom combining business! This trailer has been manufactured to function safely, efficiently and trouble free.

Safe operation of the machine requires that the operator reads and understands the information in this manual. Keep this manual handy for reference and to pass on to new operators or owners.

Call your Sheyenne dealer if you need assistance, information or additional copies of this manual.

Operator orientation: the directions left, right, front and rear as mentioned in the manual are from the behind the trailer looking toward the tail lights.

Thank you for choosing this header trailer.



## SERIAL NUMBER LOCATION

Give your dealer the serial number of your header trailer when ordering parts, requesting service or other information.

The serial number plate is located as indicated below.



It is the responsibility of the **purchaser** and all **operator's** to **read and understand** this manual. It has been prepared to assist in the safe operation and suitable maintenance of this trailer. The information is applicable to the product at the time of manufacture and does not include modifications or updates made thereafter.

Serial Number \_\_\_\_\_



Please enter information below and **SAVE FOR FUTURE REFERENCE**

## HEADER TRAILER WARRANTY

SHEYENNE TOOLING & MANUFACTURING warrants each new product to be free from defects in material and workmanship. This warranty is applicable only for the normal service life expectancy of the machine or components, not to exceed **twelve consecutive months** from the date of delivery of the new SHEYENNE TOOLING & MANUFACTURING product to the original purchaser.

Genuine SHEYENNE TOOLING & MANUFACTURING replacement parts and components will be warranted for 90 days from date of purchase, or the remainder of the original equipment warranty period, whichever is longer.

Under no circumstances will it cover any merchandise or components thereof, which in the opinion of the company, has been subject to negligent handling, misuse, alteration, an accident, or if repairs have been made with parts other than those obtainable through SHEYENNE TOOLING & MANUFACTURING.

Our obligation under this warranty shall be limited to repairing or replacing, free of charge to the original purchaser, any part that in our judgment shall show evidence of such defect, provided further that such part shall be returned within thirty (30) days from date of failure to SHEYENNE TOOLING & MANUFACTURING.

This warranty shall not be interpreted to render us liable for injury or damages of any kind or nature to person or property.

Except as set forth above, **SHEYENNE TOOLING & MANUFACTURING shall have no obligation of liability of any kind on account of any of its equipment and shall not be liable for special or consequential damage. SHEYENNE TOOLING & MANUFACTURING makes no other warranty, express or implied, and, specifically, SHEYENNE TOOLING & MANUFACTURING disclaims any implied warranty of merchantability of fitness for a particular purpose. Some states or provinces do not permit limitations or exclusions of implied warranties of incidental or consequential damages, so the limitations or exclusions in this warranty may not apply.**

This warranty is subject to any existing conditions of supply, which may directly affect our ability to obtain materials or manufacture replacement parts.

SHEYENNE TOOLING & MANUFACTURING reserves the right to make improvements in design or changes in specifications at any time, without incurring any obligations to owners of units previously sold.

No one is authorized to alter, modify or enlarge neither this warranty nor the exclusions, limitations and reservations.

I have read and understand the above instructions and warranty. **Warranty is invalid until all three copies are completed and signed. Customer copy retained, dealer copy in dealer's possession and manufacturer's copy returned.**

---

Date Purchased \_\_\_\_\_

Dealership \_\_\_\_\_

Model Number \_\_\_\_\_

Serial Number \_\_\_\_\_

Customer Signature \_\_\_\_\_

Date \_\_\_\_\_

Dealer Signature \_\_\_\_\_

Date \_\_\_\_\_

**Customer Copy**

(Keep in this book)



Please enter information below and **SAVE FOR FUTURE REFERENCE**

## HEADER TRAILER WARRANTY

SHEYENNE TOOLING & MANUFACTURING warrants each new product to be free from defects in material and workmanship. This warranty is applicable only for the normal service life expectancy of the machine or components, not to exceed **twelve consecutive months** from the date of delivery of the new SHEYENNE TOOLING & MANUFACTURING product to the original purchaser.

Genuine SHEYENNE TOOLING & MANUFACTURING replacement parts and components will be warranted for 90 days from date of purchase, or the remainder of the original equipment warranty period, whichever is longer.

Under no circumstances will it cover any merchandise or components thereof, which in the opinion of the company, has been subject to negligent handling, misuse, alteration, an accident, or if repairs have been made with parts other than those obtainable through SHEYENNE TOOLING & MANUFACTURING.

Our obligation under this warranty shall be limited to repairing or replacing, free of charge to the original purchaser, any part that in our judgment shall show evidence of such defect, provided further that such part shall be returned within thirty (30) days from date of failure to SHEYENNE TOOLING & MANUFACTURING.

This warranty shall not be interpreted to render us liable for injury or damages of any kind or nature to person or property.

Except as set forth above, **SHEYENNE TOOLING & MANUFACTURING shall have no obligation of liability of any kind on account of any of its equipment and shall not be liable for special or consequential damage. SHEYENNE TOOLING & MANUFACTURING makes no other warranty, express or implied, and, specifically, SHEYENNE TOOLING & MANUFACTURING disclaims any implied warranty of merchantability of fitness for a particular purpose. Some states or provinces do not permit limitations or exclusions of implied warranties of incidental or consequential damages, so the limitations or exclusions in this warranty may not apply.**

This warranty is subject to any existing conditions of supply, which may directly affect our ability to obtain materials or manufacture replacement parts.

SHEYENNE TOOLING & MANUFACTURING reserves the right to make improvements in design or changes in specifications at any time, without incurring any obligations to owners of units previously sold.

No one is authorized to alter, modify or enlarge neither this warranty nor the exclusions, limitations and reservations.

I have read and understand the above instructions and warranty. **Warranty is invalid until all three copies are completed and signed. Customer copy retained, dealer copy in dealer's possession and manufacturer's copy returned.**

---

Date Purchased \_\_\_\_\_

Dealership \_\_\_\_\_

Model Number \_\_\_\_\_

Serial Number \_\_\_\_\_

Customer Signature \_\_\_\_\_

Date \_\_\_\_\_

Dealer Signature \_\_\_\_\_

Date \_\_\_\_\_

**Dealer Copy**







**PLEASE ENTER INFORMATION BELOW AND RETURN TO SHEYENNE TOOLING AND MANUFACTURING**

## **HEADER TRAILER WARRANTY**

**SHEYENNE TOOLING & MANUFACTURING warrants each new product to be free from defects in material and workmanship. This warranty is applicable only for the normal service life expectancy of the machine or components, not to exceed twelve consecutive months from the date of delivery of the new SHEYENNE TOOLING & MANUFACTURING product to the original purchaser.**

Genuine SHEYENNE TOOLING & MANUFACTURING replacement parts and components will be warranted for 90 days from date of purchase, or the remainder of the original equipment warranty period, whichever is longer. Warranty is not applicable for normal wear and usage.

Under no circumstances will it cover any merchandise or components thereof, which in the opinion of the company, has been subject to negligent handling, misuse, alteration, an accident, or if repairs have been made with parts other than those obtainable through SHEYENNE TOOLING & MANUFACTURING.

Our obligation under this warranty shall be limited to repairing or replacing, free of charge to the original purchaser, any part that in our judgement shall show evidence of such defect, provided further that such part shall be returned within thirty (30) days from date of failure to SHEYENNE TOOLING & MANUFACTURING.

This warranty shall not be interpreted to render us liable for injury or damages of any kind or nature to person or property.

Except as set forth above, SHEYENNE TOOLING & MANUFACTURING shall have no obligation of liability of any kind on account of any of its equipment and shall not be liable for special or consequential damage. SHEYENNE TOOLING & MANUFACTURING makes no other warranty, express or implied, and, specifically, SHEYENNE TOOLING & MANUFACTURING disclaims any implied warranty of merchantability of fitness for a particular purpose. Some states or provinces do not permit limitations or exclusions of implied warranties of incidental or consequential damages, so the limitations or exclusions in this warranty may not apply.

This warranty is subject to any existing conditions of supply, which may directly affect our ability to obtain materials or manufacture replacement parts.

SHEYENNE TOOLING & MANUFACTURING reserves the right to make improvements in design or changes in specifications at any time, without incurring any obligations to owners of units previously sold.

No one is authorized to alter, modify or enlarge neither this warranty nor the exclusions, limitations and reservations.

I have read and understand the above instructions and warranty. I have also read the owner's manual and understand all safety precautions. **Warranty is invalid until all three copies are completed and signed. Customer copy retained, dealer copy in the dealer's possession and the manufacturer's copy returned.**

Date Purchased \_\_\_\_\_ Dealership \_\_\_\_\_

Model Number \_\_\_\_\_ Serial Number \_\_\_\_\_

Customer Information: Name (Please Print) \_\_\_\_\_

Address \_\_\_\_\_

City \_\_\_\_\_, State \_\_\_\_\_, Zip Code \_\_\_\_\_

E-Mail (If Applicable) \_\_\_\_\_

Signature \_\_\_\_\_, Date \_\_\_\_\_

Dealer Signature \_\_\_\_\_

Date \_\_\_\_\_

*Please return via; fax, regular mail or e-mail; to:*  
*fax number – (701) 797-2584*  
*address --*  
**Sheyenne Tooling and Manufacturing**  
**PO Box 647**  
**Cooperstown, ND 58425**  
*e-mail – [warranty@sheyennemfg.com](mailto:warranty@sheyennemfg.com)*



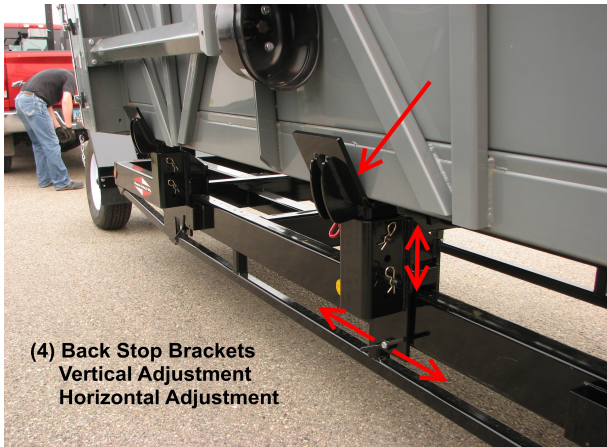
## Safety:

Personal safety is paramount. Both the header trailer and the headers loaded of them are heavy. When the combine operator is loading or unloading a header all persons **must stand clear** of the operation. Do not get in between or under any part of the of the two pieces of equipment.

The location of brackets or the support bar may require adjustment. If adjustment is necessary have the combine operator move the header back, away from the trailer and lower it to the ground. Make the adjustments and bring the header back over the trailer. The support bar is heavy and requires pinning in several places. Have enough people involved to do these adjustments safely. **Think safety!**

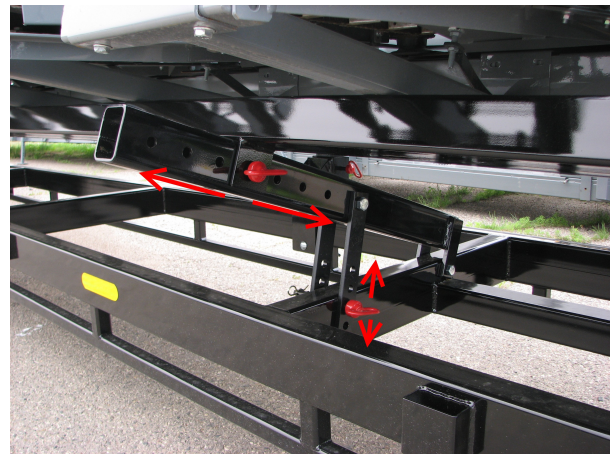
## Loading:

1. When loading the header be certain that it is resting **against all** of the back stops (cradles or saddles). See **Fig. 1**. This is very important – it prevents load shifting and the possibility of having the header fall from the trailer. Note that the back stops are adjustable vertically and horizontally.



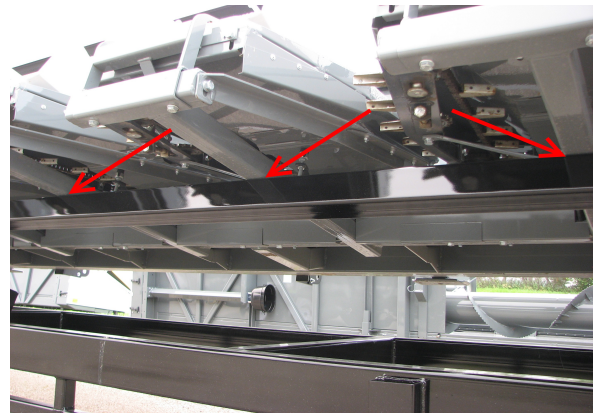
**Figure 1 Back Stops**

2. The support bar is also adjustable in two directions; up and down – in and out. **Figure 2** shows the adjustment. The vertical adjustment has four holes or positions. The “in – out” has seven holes. The support bar must be located out beyond the mid-point to provide the support needed. All pins must be in place and keyed. Different headers may require different settings.



**Figure 2 Support Bar Adjustment**

3. **Fig. 3** shows the points where the header rests on the support bar.



**Figure 3 Rest Points**

## Securing:

Once the header is safely loaded and properly supported it needs to be strapped down. The trailer has six pairs of hold down brackets. See two of them in **Fig. 4**. Use the pairs that best



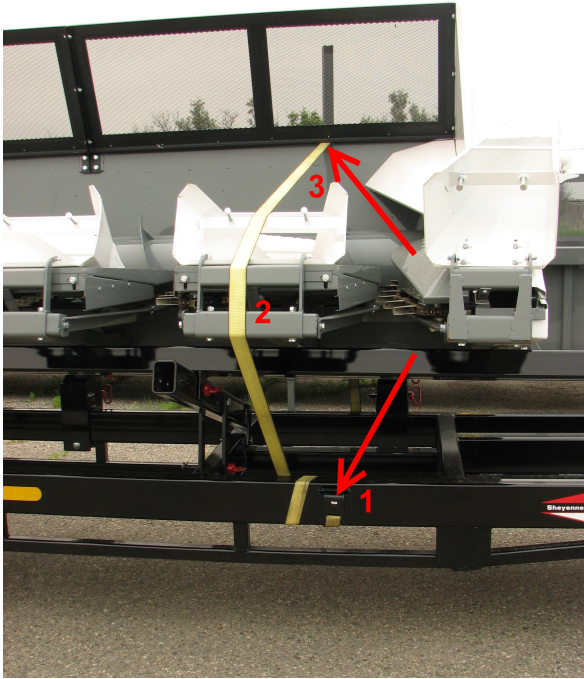
**Figure 4 Hold Down Brackets**



## Securing: (cont)

fit your particular header, not all need be used.

Fig. 5 shows a strap hooked in a hold down bracket,



**Figure 5 Steps to securing header**

arrow numbered 1. The extra wrap around the tube positions the strap to come directly over the row unit at 2. The numbered arrow 3 is where the strap goes under the rubber flap of the back screen.

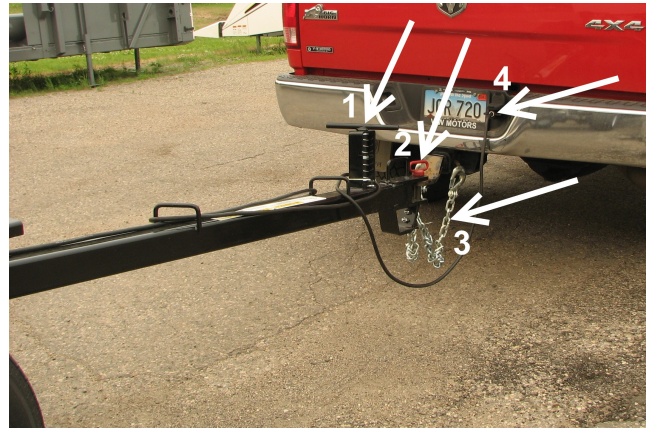
Fig. 6 shows the back side of the same strap.



**Figure 6 Steps to securing header**

## Hooking to Tow Vehicle

The Sheyenne header trailer can be towed by pick-up trucks, trucks, combines or tractors. Fig.7 shows a typical hook-up. Arrow number 1



**Figure 7 Hooking-up**

points to the telescoping hitch feature. This is particularly useful when only one person is hooking-up.

Arrow 2 is the hitch pin and key. Select an appropriate diameter and length pin for the hitch.

Arrow 3 points to the safety chains. The trailer is equipped with these chains. If these should ever need replacement, do so with an equal quality chain. **Always** connect these to the towing vehicle!

Arrow 4 points to the electrical connector. **Always** plug in this connector! It controls all signal lights, clearance lights, brake lights and the electrical brakes. **Plug in the connector!**

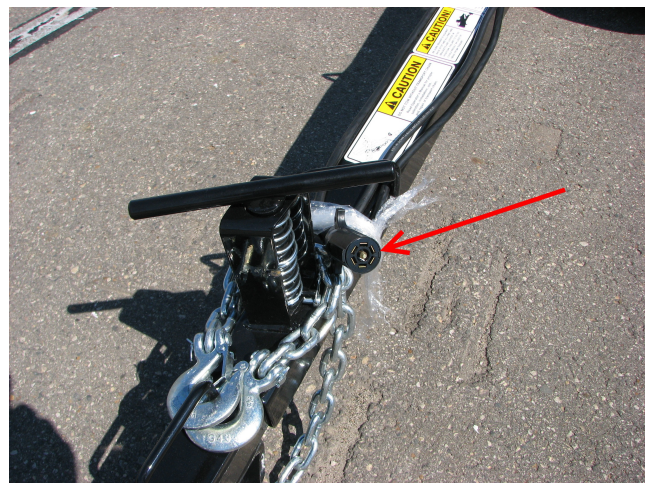


Fig. 8 is an end view of the six socket connector.

**Figure 8 Electrical Connector**



## Lubrication:

The header trailer has only two grease fittings, seen in Fig. 9. All wheel bearings are sealed.

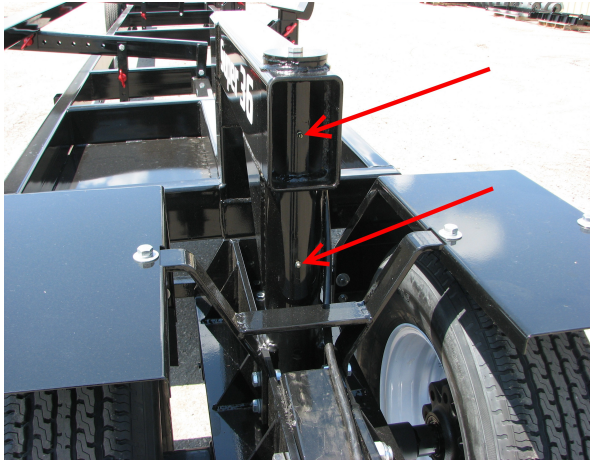


Figure 9 Grease Zerks on Steering

## Decals:

Figures 10 and 11 show the trailer decals. If these become damaged or unreadable, contact the company. Contact information is on the front and back covers of this manual.



Figure 10 Decals on Hitch, Safety



Figure 11 Decals, Model No. & Company Logo

## Lights and Reflectors:

The trailer is equipped with all lights and reflectors as required by highway standards. Fig. 12.



Figure 12 Lights

## Brakes:

The forward axle of the trailer has electric brakes. Fig. 13.



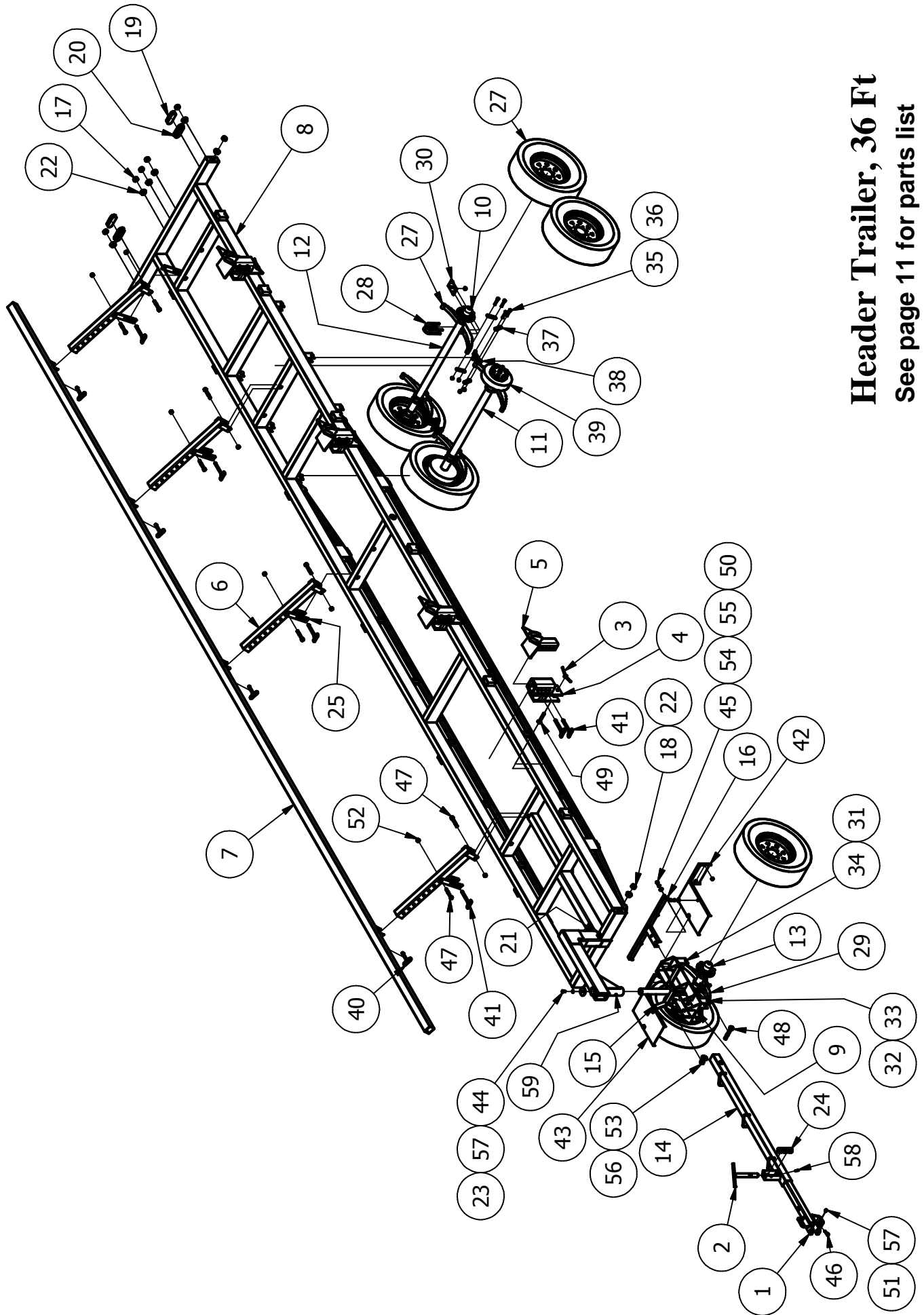
Figure 13 Electric Brakes

## Suspension:

Both axles have leaf spring suspension. Fig. 14.



Figure 14 Leaf springs



**Header Trailer, 36 Ft**  
**See page 11 for parts list**

PARTS LIST			PARTS LIST				
ITEM	QTY	PART NUMBER	DESCRIPTION	ITEM	QTY	PART NUMBER	DESCRIPTION
1	1	340-2-0207	FRONT TEL. HITCH W/A	31	2	340-3-0240	KEEPER BOLT NUT, 5/16NC LOCKNUT
2	1	340-2-0212	TEL. HITCH PIN W/A	32	2	340-3-0241	LOCK NUT 9/16NC
3	4	340-2-0217	T-NUT W/A	33	2	340-3-0242	9/16NC X 3.5 HANGER BOLT
4	4	340-2-0220	CRADLE MOUNT W/A	34	2	340-3-0243	KEEPER BOLT, 5/16NC X3-1/4
5	4	340-2-0221	CRADLE W/A	35	14	340-3-0258	SPRING BOLT, 9/16NC X 3-1/4
6	4	340-2-0222	ADJUSTMENT ARM W/A	36	14	340-3-0259	LOCK NUT, SPRING BOLT 9/16NC
7	1	340-2-0223	FRONT CARRIER W/A, 36FT	37	8	340-3-0260	LONG SHACKLE
8	1	340-2-0224	HEADER TRAILER-36FT	38	2	340-3-0262	REAR EQUALIZER
9	1	340-2-0225	MOUNT W/A, STEERING AXLE	39	2	340-3-0263	HUB & DRUM ASSY
10	4	340-2-0229	8 BOLT HUB ASSY	40	4	340-3-0264	HITCH PIN, 3/4 X 4
11	1	340-2-0234	BRAKING AXLE ASSY, 6000#	41	12	340-3-0265	HITCH PIN, 3/4 X 6-1/2
12	1	340-2-0235	IDLER AXLE ASSY, 6000#	42	1	340-3-0269	FENDER, FRONT LH
13	1	340-2-0238	STEERING AXLE ASSY	43	1	340-3-0275	FENDER, FRONT RH
14	1	340-2-0243	REAR TEL. HITCH W/A	44	1	900-01221	1/2NC X 1 HEX BOLT GR5
15	1	340-2-0244	FENDER BRACKET W/A	45	8	900-01223	1/2-13 X 1-1/4 GR 5 HHCS
16	1	340-2-0245	LOWER FENDER BRKT W/A	46	2	900-01229	1/2NC X 2 HEX BOLT GR5
17	7	340-3-0100	RED CLEARANCE LIGHT	47	8	900-01423	3/4-10 X 5 GR 5 HHCS
18	4	340-3-0101	AMBER CLEARANCE LIGHT	48	1	900-01535	1"NC X 6 HEX BOLT G5
19	2	340-3-0102	TAIL LIGHT, OVAL	49	4	900-01812	3/4NC X 5 CARR. BOLT
20	2	340-3-0106	GROMMET, OVAL TAIL LIGHT	50	8	900-06143	1/2 NC SERR FLANGE NUT
21	2	340-3-0107	GROMMET, 1.75ODX1IDX1/4 GRVE	51	2	900-06504	1/2" NC TOPLOCK NUT
22	11	340-3-0108	GROMMET, CLEARANCE LIGHT	52	8	900-06510	3/4 - 10 TOP LOCK HEX NUT
23	1	340-3-0185	CAP, FRONT AXLE	53	1	900-06514	1" TOPLOCK NUT
24	2	340-3-0190	COMP. SPRING 1.906OD X .142MW	54	8	900-11013	1/2" SPLIT LOCK WASHER
25	8	340-3-0200	PLATE, TUBE ADJUSTMENT	55	8	900-11035	1/2" USS FLATWASHER
26	6	340-3-0226	WHEEL ASSY, 6 BOLT	56	1	900-11040	1.00 USS FLATWASHER
27	4	340-3-0231	SPRING, 3000#	57	3	900-11183	1/2" SAE FLAT WASHER
28	12	340-3-0233	U-BOLT	58	1	900-29211	5/16 X 2 ROLL PIN
29	2	340-3-0237	SLIPPER SPRING	59	2	905-15024	1/4-28 UNF ST ZerK
30	6	340-3-0239	SPRING PLATE				









**701 Lenham Ave. - P.O. Box 647**

**Cooperstown, ND 58425**

**Office (701) 797-2700**

**Fax (701) 797-2584**

**Toll Free (800) 797-1883**

**[www.sheyennemfg.com](http://www.sheyennemfg.com)**