



COMPACT TRACTOR **SNOWBLOWER**

Owner / Operator Manual

& Parts Book

Sheyenne Tooling & Mfg.

PO Box 647

701 Lenham Ave. SW

Cooperstown, ND 58425

www.sheyennemfg.com

(701)797-2700 Fax (701)797-2584

(800)797-1883

COMPACT TRACTOR SNOWBLOWER

MODELS

500CT

600CT

5 And 6 Foot Width



ATTENTION DEALER

The dealer has primary responsibility for warranty registration of the Compact Tractor Snowblower. The dealer and the purchaser should jointly record the information on page 3 and the warranty pages that follow that page. Both parties need to keep their respective copies. It is advisable for the purchaser to share the name of the insurance company that is covering his or her equipment. This is helpful in the event of loss or theft.

Be sure the OWNERS MANUAL remains with the snowblower when sold. It contains important procedures for safe operation of the snowblower.



SERIAL NUMBER LOCATION

Always give your dealer the serial number of your Compact Tractor Snowblower when ordering parts or requesting service or other information.

The serial number plate is located as indicated. For future reference, please write the model and serial number in the space provided below and complete the warranty pages which follow.



SERIAL NUMBER LOCATION

It is the responsibility of the **purchaser** and all **operator's** to **read and understand** this manual. It has been prepared to assist in the safe operation and suitable maintenance of this implement. The information is applicable to the product at the time of manufacture and does not include modifications or updates made thereafter.

Model Number _____

Serial Number _____

Please enter information below and **SAVE FOR FUTURE REFERENCE**

SNOWBLOWER WARRANTY

SHEYENNE TOOLING & MANUFACTURING warrants each new product to be free from defects in material and workmanship. This warranty is applicable only for the normal service life expectancy of the machine or components, not to exceed twelve consecutive months from the date of delivery of the new SHEYENNE TOOLING & MANUFACTURING product to the original purchaser.

Genuine SHEYENNE TOOLING & MANUFACTURING replacement parts and components will be warranted for 90 days from date of purchase, or the remainder of the original equipment warranty period, whichever is longer.

Under no circumstances will it cover any merchandise or components thereof, which in the opinion of the company, has been subject to negligent handling, misuse, alteration, an accident, or if repairs have been made with parts other than those obtainable through SHEYENNE TOOLING & MANUFACTURING.

Our obligation under this warranty shall be limited to repairing or replacing, free of charge to the original purchaser, any part that in our judgment shall show evidence of such defect, provided further that such part shall be returned within thirty (30) days from date of failure to SHEYENNE TOOLING & MANUFACTURING.

This warranty shall not be interpreted to render us liable for injury or damages of any kind or nature to person or property.

Except as set forth above, **SHEYENNE TOOLING & MANUFACTURING shall have no obligation of liability of any kind on account of any of its equipment and shall not be liable for special or consequential damage. SHEYENNE TOOLING & MANUFACTURING makes no other warranty, express or implied, and, specifically, SHEYENNE TOOLING & MANUFACTURING disclaims any implied warranty of merchantability of fitness for a particular purpose. Some states or provinces do not permit limitations or exclusions of implied warranties of incidental or consequential damages, so the limitations or exclusions in this warranty may not apply.**

This warranty is subject to any existing conditions of supply, which may directly affect our ability to obtain materials or manufacture replacement parts.

SHEYENNE TOOLING & MANUFACTURING reserves the right to make improvements in design or changes in specifications at any time, without incurring any obligations to owners of units previously sold.

No one is authorized to alter, modify or enlarge neither this warranty nor the exclusions, limitations and reservations.

I have read and understand the above instructions and warranty. **Warranty is invalid until all three copies are completed and signed. Customer copy retained, dealer copy in dealer's possession and manufacturer's copy returned.**

Date Purchased _____

Dealership _____

Model Number _____

Serial Number _____

Customer Signature _____

Date _____

Dealer Signature _____

Date _____

Customer Copy

Please enter information below and **SAVE FOR FUTURE REFERENCE**

SNOWBLOWER WARRANTY

SHEYENNE TOOLING & MANUFACTURING warrants each new product to be free from defects in material and workmanship. This warranty is applicable only for the normal service life expectancy of the machine or components, not to exceed twelve consecutive months from the date of delivery of the new SHEYENNE TOOLING & MANUFACTURING product to the original purchaser.

Genuine SHEYENNE TOOLING & MANUFACTURING replacement parts and components will be warranted for 90 days from date of purchase, or the remainder of the original equipment warranty period, whichever is longer.

Under no circumstances will it cover any merchandise or components thereof, which in the opinion of the company, has been subject to negligent handling, misuse, alteration, an accident, or if repairs have been made with parts other than those obtainable through SHEYENNE TOOLING & MANUFACTURING.

Our obligation under this warranty shall be limited to repairing or replacing, free of charge to the original purchaser, any part that in our judgment shall show evidence of such defect, provided further that such part shall be returned within thirty (30) days from date of failure to SHEYENNE TOOLING & MANUFACTURING.

This warranty shall not be interpreted to render us liable for injury or damages of any kind or nature to person or property.

Except as set forth above, **SHEYENNE TOOLING & MANUFACTURING shall have no obligation of liability of any kind on account of any of its equipment and shall not be liable for special or consequential damage. SHEYENNE TOOLING & MANUFACTURING makes no other warranty, express or implied, and, specifically, SHEYENNE TOOLING & MANUFACTURING disclaims any implied warranty of merchantability of fitness for a particular purpose. Some states or provinces do not permit limitations or exclusions of implied warranties of incidental or consequential damages, so the limitations or exclusions in this warranty may not apply.**

This warranty is subject to any existing conditions of supply, which may directly affect our ability to obtain materials or manufacture replacement parts.

SHEYENNE TOOLING & MANUFACTURING reserves the right to make improvements in design or changes in specifications at any time, without incurring any obligations to owners of units previously sold.

No one is authorized to alter, modify or enlarge neither this warranty nor the exclusions, limitations and reservations.

I have read and understand the above instructions and warranty. **Warranty is invalid until all three copies are completed and signed. Customer copy retained, dealer copy in dealer's possession and manufacturer's copy returned.**

Date Purchased _____

Dealership _____

Model Number _____

Serial Number _____

Customer Signature _____

Date _____

Dealer Signature _____

Date _____

Dealer Copy



Manufacturer Copy

PLEASE ENTER INFORMATION BELOW AND RETURN TO SHEYENNE TOOLING AND MANUFACTURING

SNOWBLOWER WARRANTY

SHEYENNE TOOLING & MANUFACTURING warrants each new product to be free from defects in material and workmanship. This warranty is applicable only for the normal service life expectancy of the machine or components, not to exceed twelve consecutive months from the date of delivery of the new SHEYENNE TOOLING & MANUFACTURING product to the original purchaser.

Genuine SHEYENNE TOOLING & MANUFACTURING replacement parts and components will be warranted for 90 days from date of purchase, or the remainder of the original equipment warranty period, whichever is longer. Warranty is not applicable for normal wear and usage.

Under no circumstances will it cover any merchandise or components thereof, which in the opinion of the company, has been subject to negligent handling, misuse, alteration, an accident, or if repairs have been made with parts other than those obtainable through SHEYENNE TOOLING & MANUFACTURING.

Our obligation under this warranty shall be limited to repairing or replacing, free of charge to the original purchaser, any part that in our judgement shall show evidence of such defect, provided further that such part shall be returned within thirty (30) days from date of failure to SHEYENNE TOOLING & MANUFACTURING.

This warranty shall not be interpreted to render us liable for injury or damages of any kind or nature to person or property.

Except as set forth above, SHEYENNE TOOLING & MANUFACTURING shall have no obligation of liability of any kind on account of any of its equipment and shall not be liable for special or consequential damage. SHEYENNE TOOLING & MANUFACTURING makes no other warranty, express or implied, and, specifically, SHEYENNE TOOLING & MANUFACTURING disclaims any implied warranty of merchantability of fitness for a particular purpose. Some states or provinces do not permit limitations or exclusions of implied warranties of incidental or consequential damages, so the limitations or exclusions in this warranty may not apply.

This warranty is subject to any existing conditions of supply, which may directly affect our ability to obtain materials or manufacture replacement parts.

SHEYENNE TOOLING & MANUFACTURING reserves the right to make improvements in design or changes in specifications at any time, without incurring any obligations to owners of units previously sold.

No one is authorized to alter, modify or enlarge neither this warranty nor the exclusions, limitations and reservations.

I have read and understand the above instructions and warranty. I have also read the owner's manual and understand all safety precautions. **Warranty is invalid until all three copies are completed and signed. Customer copy retained, dealer copy in the dealer's possession and the manufacturer's copy returned.**

Date Purchased _____ Dealership _____

Model Number _____ Serial Number _____

Customer Information: Name (Please Print) _____

Address _____

City _____, State _____, Zip Code _____

E-Mail (If Applicable) _____

Signature _____, Date _____

Dealer Signature _____

Date _____

Please return via; fax, regular mail or e-mail; to:
fax number – (701) 797-2584
address --
Sheyenne Tooling and Manufacturing
PO Box 647
Cooperstown, ND 58425
e-mail – warranty@sheyennemfg.com

TABLE OF CONTENTS

DESCRIPTION	PAGE
Model Number(s)	1
Dealer Information	2
Serial Number Location	3
Warranty Pages	-
Table of Contents	4
Introduction	5
Safety Symbol	6
Safety Reasons	7
Safety	8
Safe Operating	9, 10 & 11
Safety Sign-off Form	12
Machine Components for Earlier Design Models	13
Machine Components for Current, Redesigned Models 500 & 600	14
Electrical Diagram	15
Hookup, Physical – Hydraulic - Electrical	16
Compact Tractor Hydraulic System – Common to 500 & 600	17
Hydraulic System	18
Installation Instructions for Hydraulic Pump	19
Operating, General – Deflector – Chute Rotation – Ground Speed	20
Mechanical Specification	21
Maintenance	22
Shear Protection & Bolt Torque Specifications	23
Lubricating & Trouble Shooting	24
Hydraulic System Trouble Shootng Guide	25
Parts & Index Section / (See this section for pages 27 through 44)	26

1 INTRODUCTION

Congratulations on your choice of a Sheyenne Manufacturing, Compact Tractor(CT) Snowblower. This equipment has been designed and manufactured to meet the needs of a wide variety of discerning users.

Safe, efficient and trouble free operation of your snowblower requires that you and anyone else who will be operating or maintaining it, read and understand the Safety, Operation, Maintenance and Trouble Shooting information contained within the Operator's Manual.



COMPACT TRACTOR SNOWBLOWER

This manual covers the models 500 CT and 600 CT Snowblower made by Sheyenne Manufacturing.

Keep this manual handy for frequent reference and to pass on to new operators or owners. Call your Sheyenne/Westgo dealer if you need assistance, information or additional copies of this manual.

OPERATOR ORIENTATION - The directions left and right, as mentioned in the manual, are seen from the tractor driver's seat.

**THE SYMBOL SHOWN BELOW IS USED TO
CALL YOUR ATTENTION TO INSTRUCTIONS
CONCERNING YOUR PERSONAL SAFETY**



BE ALERT!

Your Safety is involved

SAFETY ALERT SYMBOL



Why is **SAFETY** so important to you?

3 Big Reasons

Accidents Can Be Avoided

Accidents Disable and Kill

Accidents Are Costly

This safety alert symbol appears in this manual and on many of the decals on the snowblower and tractor. It is used to draw your attention to the possibility of personal injury or lose of life. We **urge** you to follow all safety instructions. Be alert to safety issues at **all** times!

In addition you will see the use of **signal words** with the safety messages. The appropriate signal word for each message has been selected using the following guide-lines:



DANGER: Indicates an immediate hazardous situation which, if not avoided, will result in death or serious injury.



WARNING: Indicates a potentially hazardous situation which, if not avoided, could result in death or serious injury.



CAUTION: Indicates a potentially hazardous situation which, if not avoided, may result in minor or moderate injury.

IMPORTANT: Indicates that equipment or property damage could result if instructions are not followed.

NOTE: Gives helpful information.

The Compact Tractor Snowblower is designed to give safe, dependable service if operated and maintained according to instructions. Read and understand this manual before operating. It is the owner's responsibility to be certain anyone operating this product reads this manual, and all other applicable manuals, (including tractor) to become familiar with this equipment and all safety precautions. Failure to do so could result in serious personal injury or equipment damage. If you have any questions, consult your dealer.

SAFETY

Child Safety

Tragic accidents can occur if the operator is not alert to the presence of children and other curious by-standers. Children are naturally attracted to machines and the work being done. Never assume children will remain where you last saw them.

1. Keep children and others out of the operating area and under the watchful eye or another responsible adult.
2. Be alert and turn machine off if children enter the work area.
3. Before and when backing, look behind for children and others.
4. Never carry children while operating the machine. They may fall off and be seriously injured or worse.
5. Never allow children to play on the machine or attachment even when machine(s) are turned off.
6. Never allow children to operate the machine even under adult supervision.
7. Use extra care when approaching blind corners, shrubs, trees, or other obstructions that might hide children from sight.

NOTICE

A safe operator is the best assurance against accidents. All operator's, no matter how experienced they may be, should read this operator's manual before attempting to operate the equipment. Please read the following section and pay particular attention to all safety recommendations.

Before Operation

1. Again, read and understand this operator's manual and the tractor operator's manual. Know how to operate all controls and how to stop the unit and disengage the controls quickly.
2. Never wear loose, torn, or bulky clothing around the tractor and the snowblower. It may catch on moving parts or controls, causing injury.

3. Before and during the snow season, thoroughly inspect the area where the equipment is to be used and remove all objects that may be thrown or cause damage to the equipment.
4. Set transmission to neutral and disengage the clutch (if so equipped), before starting the engine.
5. Do not operate equipment in wintertime without wearing adequate winter clothing.
6. Never attempt to make any adjustments while engine is running. Read this manual carefully to acquaint yourself with the equipment as well as the tractor operator's manual. Working with unfamiliar equipment can lead to accidents. Be thoroughly familiar with the controls and proper use of the equipment.
7. Keep all safety guards in place and verify hardware for proper tightening.
8. Check for moving parts excessive wear regularly. Replace worn parts with genuine parts.
9. Replace all missing, illegible, or damaged safety and warning decals. See page 13 for safety decals and their locations.
10. Keep safety decals clean of dirt and grime.
11. Do not modify or alter this equipment or any of its components or any equipment function without first consulting your dealer and/or the manufacture. Failure to get written consent will result in voiding the warranty.
12. The use of rear counterweights on the tractor is recommended. Weights provide the necessary balance to improve stability, traction and steering. Use only those recommended by your dealer. Please refer to tractor's operator's manual for proper ballasting information.

SAFETY AND OPERATING

Snowblower Operation

1. Before leaving the tractor unattended or when work is completed, take all possible precautions. Park the tractor and snowblower on level ground, place the transmission in neutral, set the parking brake, disengage the equipment drive, lower the equipment to the ground, place all levers including auxiliary control levers in neutral, shut off the engine and remove the ignition key.
2. Before starting the tractor and snowblower, remove any ice that has accumulated in the auger/fan.
3. Prior to operation, clear work area of all objects that can be picked up and thrown. Mark all curbs, pipes, etc. that cannot be moved.
4. Be sure the PTO switch/lever is in the OFF position before starting engine.
5. Exercise extreme caution when operating on or crossing a gravel drive, walks, or roads. Stay alert for hidden hazards or traffic.
6. Do not carry passengers.
7. Adjust skid shoe height to clear gravel or crushed rock. Stones and rocks can easily be picked-up and thrown with the snow. **Always** turn the directional spout away from persons, pets, windows, vehicles, all structures and even trees and shrubs.
8. Keep well clear of all rotating parts. **Do not** put hands or feet under, or into snowblower with tractor engine running.
9. To inspect, adjust, do repairs or unclog the machine, follow the same procedure to safely shut down the snowblower and the tractor as stated in step #1 above. Wait for rotating parts to stop before attempting to unclog any portion of the snowblower. Use a long piece of wood (approx. 3 feet) to safely unclog.
10. If the snowblower begins to vibrate abnormally, disengage the equipment drive, stop the engine immediately and check for the cause. Excessive vibration is generally a sign of trouble.
11. Do not run the tractor engine indoors except when starting engine and transporting attachment in or out of building. Carbon monoxide gas is colorless, odorless and deadly.
12. Avoid operating on steep slopes. When necessary to operate on a slope, exercise extra caution when changing directions.
13. Never operate snowblower without guards and other safety protective devices in place.
14. Keep clear of chute discharge. This chute has the capability of throwing objects at high speeds and great distances. Heavier objects like rocks, frozen dirt, etc. will be projected farther than the snow. Injury, breakage or other forms of damage can occur. The operator **must** direct the discharge of snow into safe areas!
15. Never operate machine at high transport speeds on a slippery surface.
16. Use extra caution when backing up.
17. Disengage power to auger and fan when transporting or when not in use.
18. Never operate the snowblower without good visibility and lighting.
19. Prolonged exposure to loud noise can cause impairment or loss of hearing. Wear suitable hearing protective devices such as earmuffs or earplugs.
20. Never allow anyone near the work area.

SAFETY AND OPERATING (CONT)

THE TRACTOR

1. Read the tractor operator's manual carefully before using the tractor. Lack of operating knowledge can lead to accidents.
2. Do not permit anyone but the operator to ride on the tractor. There is no safe place for passengers.

Operating the Tractor

1. Never operate this or any other machine while under the influence of alcohol or illegal drugs or while taking prescription drugs that carry a warning against operating machinery or driving with their use.
2. Never run the tractor engine in a closed building without adequate ventilation. Exhaust fumes are dangerous.
3. Adopt safe driving practices. Most tractors have a means of latching the brake pedals together. Be familiar with this feature. Independent braking may be needed for turning at low speeds. Always latch the brake pedals together before driving at high speeds.
4. Drive at a safe speed relative to local conditions. Speed should be low enough for an emergency stop to be safe.
5. Reduce speed prior to turns to avoid rollover. Keep speed reasonably low.
6. Always keep the tractor in gear to provide engine braking when going downhill. Do not coast!
7. Never allow an open flame near the fuel tank or battery.
8. Use the safe shut-down procedures listed earlier. Before leaving the tractor unattended or when work is completed, take these precautions. Park the tractor and snowblower on level ground, place the transmission in neutral, set the parking brake, disengage the equipment drive, lower the equipment to the ground, place all levers including auxiliary control levers in neutral, shut off the engine and remove the ignition key.
9. Never park the tractor on a steep (above gradual or moderate) slope.
10. Do not attempt to operate on steep slopes. Avoid sudden uphill turns on steep slopes.
11. Handle fuel with care, as it is highly flammable.
12. Use approved fuel container.
13. Never add fuel to a running engine or a hot engine.
14. Fill fuel tank outdoors with extreme care. Never fill fuel tank indoors. Replace fuel cap securely and wipe up any spilled fuel.
15. Never allow anyone to operate the snowblower until they have read the manual completely and are thoroughly familiar with basic tractor and snowblower operation.
16. Make sure the tractor is counterweighted as recommended by the dealer. Weights provide the necessary balance to improve stability, traction and steering. Refer to tractor's operator's manual for proper ballasting information.
17. Always make sure all snowblower components are properly installed and securely fastened BEFORE operation.
18. Never attempt to start the engine and/or engage snowblower drive while standing beside the tractor.
19. Always start the engine from the operator's seat with all the transmission lever(s) and snowblower drive in neutral.
20. DO NOT bypass the safety system by shorting across the terminals of the starter motor to start the engine. This may cause the tractor to move suddenly.
21. If the safety start system does not work, consult your dealer immediately

SAFETY AND OPERATING (CONT)

DURING OPERATION

1. Do not allow passengers on the tractor or snowblower at any time. There is no safe place for passengers on this equipment. The operator **MUST** sit in the tractor seat while operating.
2. Eye and ear protection is recommended when operating the snowblower.
3. Operate during daylight hours or when the area is well lit with bright artificial light. Operating with inadequate light poses additional safety concerns and should be avoided.
4. If the snowblower strikes a foreign object the operation should be stopped and the snowblower inspected for damage. Only if no damage has occurred should work resume.
5. Be especially observant of the operating area and terrain. Watch for holes, rocks, or other hidden hazards. **ALWAYS** inspect the area prior to operating snowblower.
6. **DO NOT** operate snowblower near the edge of drop-offs or banks.
7. **DO NOT** operate snowblower on steep slopes as overturn may result.
8. Operate up and down (not across) intermediate slopes. Avoid sudden starts and stops.
9. Back the tractor up steeper slopes with blower off. Operate blower as you travel down the slope.
10. Slow down before you change directions on any slope.
11. Use wheel weights on your tractor to increase stability on slopes.
12. Never stand alongside the unit while the engine is running.
13. When work is complete or operator needs to shut down, follow these procedures. Park the tractor/snowblower on level ground, place the transmission in neutral, set the parking brake, disengage the PTO, lower the equipment to the ground, place all control levers in neutral, shut off the engine and remove the ignition key **BEFORE** leaving the operator's seat.

Roll-Over Protection Structure (ROPS) (If so equipped)

1. **DO NOT** weld, drill or alter the ROPS. Damaged ROPS must not be straightened and reused. If damage does occur, consult your dealer.
2. If the ROPS is lowered or removed from the tractor for any reason, it must be erected and /or refitted immediately. Original bolts or equivalent replacements must be used and tightened to the correct torque.
3. Your dealer and tractor manufacturer do not recommend usage of tractors with ROPS removed.
4. If a fold-down ROPS is used, the ROPS can be folded down for storage, but must be pinned in the upright position prior to and whenever operating the tractor.
5. Seat belt usage: With ROPS installed on the tractor it is imperative that the seat belt be installed, used and correctly adjusted, at all times. **DO NOT** use a seat belt if operating without ROPS.
6. Additional safety equipment: A Fire Extinguisher and first aid kit should be kept readily accessible.

SAFETY SIGN-OFF FORM

Sheyenne Tooling and Manufacturing follows the General Safety Standards specified by the American Society of Agricultural Engineers (ASAE). Anyone who will be operating and/ or maintaining the compact tractor snowblower must read and clearly understand all safety, operating and maintenance information presented in this manual.

Do not operate or allow anyone else to operate this equipment until such information has been reviewed. Annually review this information before the season start-up.

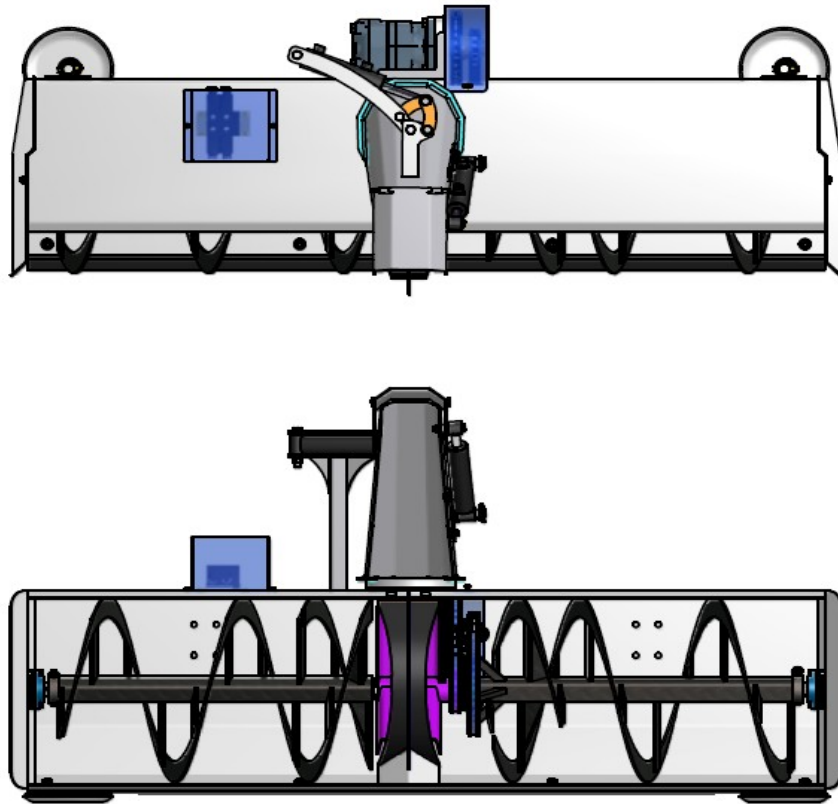
Make these periodic reviews of SAFETY and OPERATION a standard for all of your equipment. We feel that an untrained operator is unqualified to operate this machine.

A sign off sheet is provided for your record keeping to show that all personnel who will be working with the equipment have read and understand the information in the operator's manual and have been instructed in the operation of the equipment.

SIGN-OFF FORM

DATE	EMPLOYEES SIGNATURE	EMPLOYERS SIGNATURE

The 600 CT snowblower was redesigned in the fall of 2011 and the 500 CT snowblower was redesigned in the fall of 2012. The top and front views below show the earlier design. If a customer has a blower with this drive system, Sheyenne Manufacturing has archived owners manual masters which can be reproduced for those models. The two main differences of this design were; 1) it is lower in height and 2) it did not have a cross shaft drive.



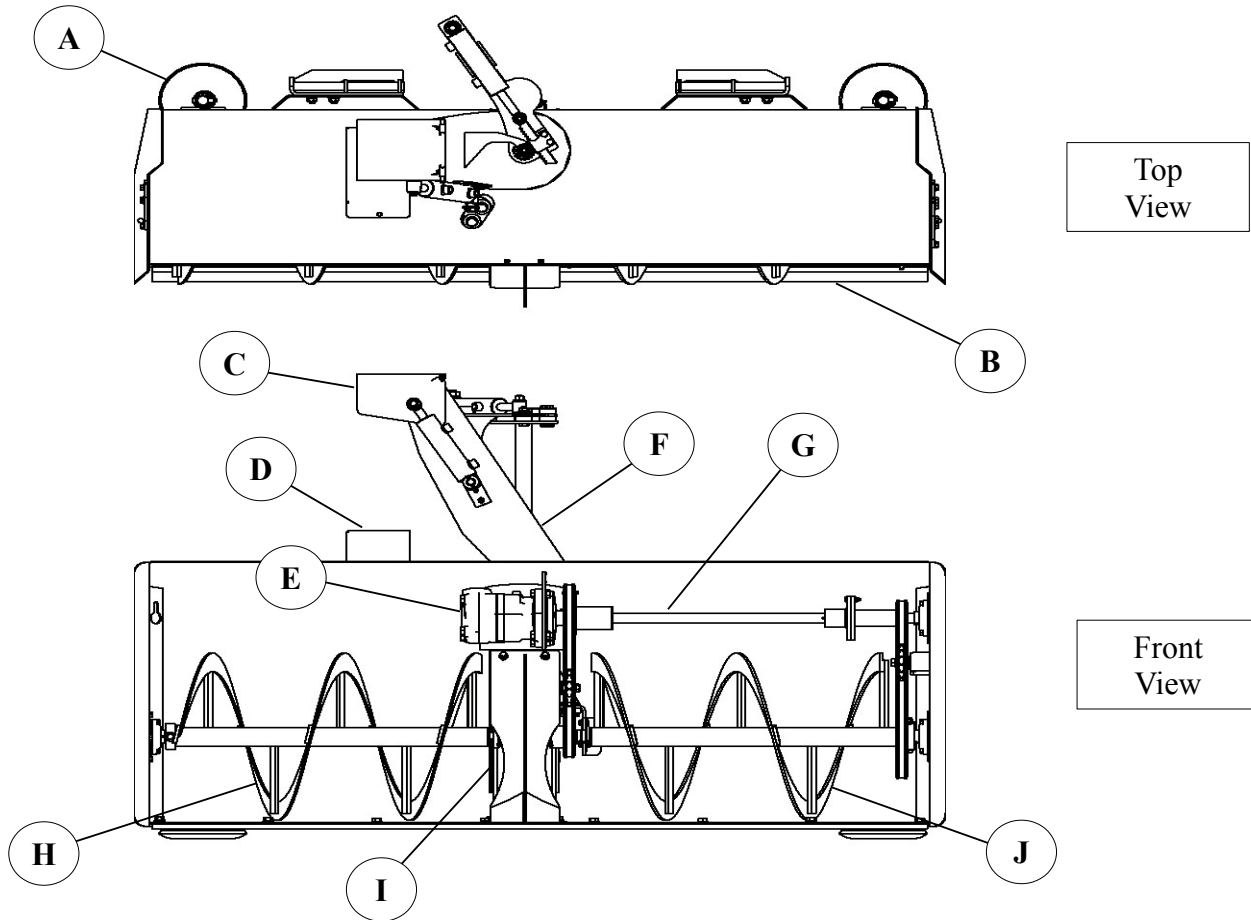
Machine Components

Skid Shoe
Cutting Edge
Deflector
Directional Control Valve
Orbital Motor
Chute
Right Hand Auger Section with LH Flighting
Impeller
Left Hand Auger Section with RH Flighting

MACHINE COMPONENTS - MODELS 500 & 600 CT

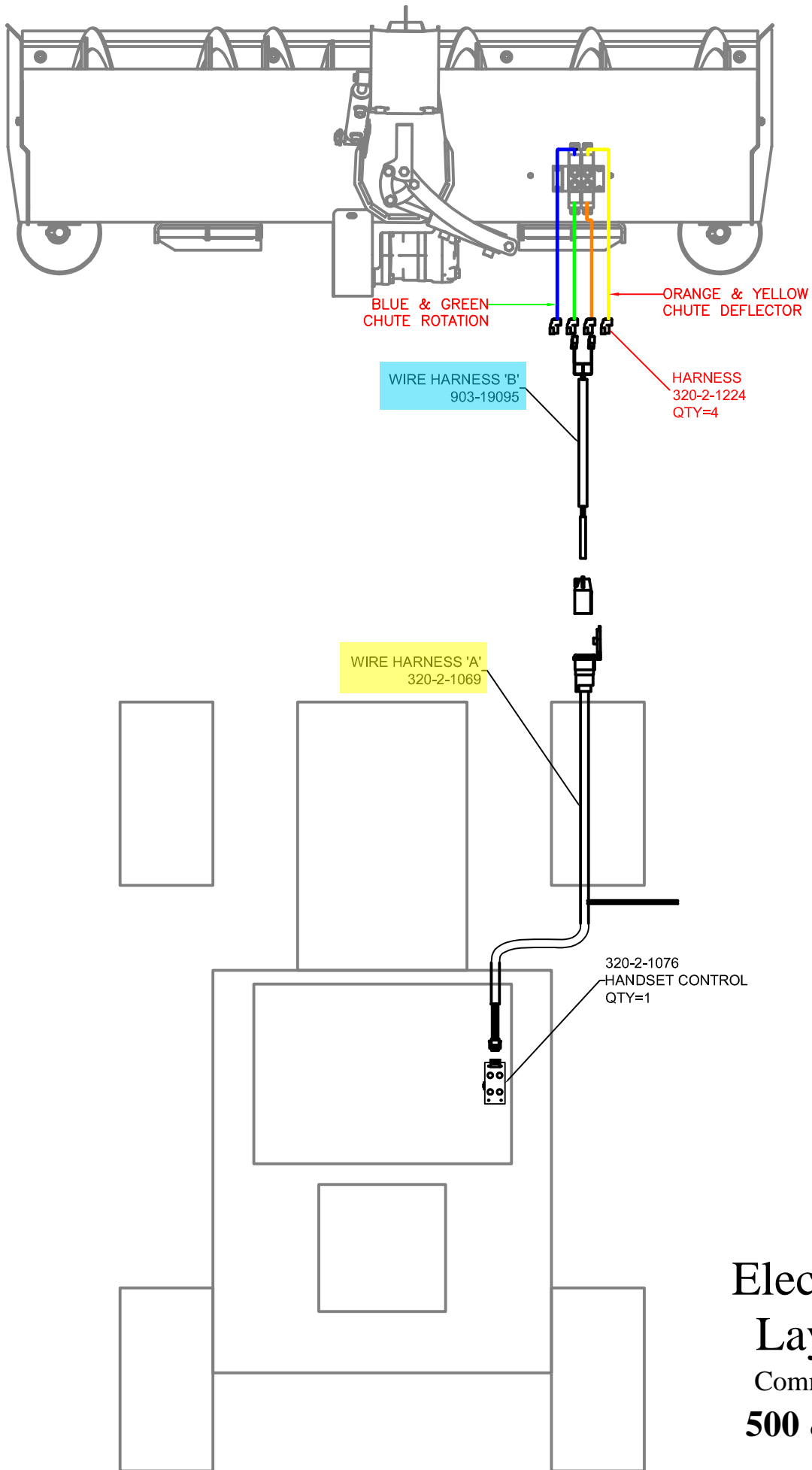
The Compact Tractor Snowblower is designed and manufactured to efficiently clear snow from roads, driveways and parking lots. The snowblower is available in two widths, 60 and 74 inches. A single orbital motor drives the auger sections and the impeller. The orbital motor is driven by the PTO pump of the tractor.

The auger sections and the impeller operate on a concentric or common shaft. This keeps the unit compact. The cutting edge is replaceable. Adjustable skid shoes control depth. The snowblower can be mounted by either quick attach or by pins. The chute and the deflector are both controlled and operated from the tractor seat by hydraulic cylinders.



Machine Components

A	Skid Shoe
B	Cutting Edge
C	Deflector
D	Directional Control Valve
E	Orbital Motor
F	Chute
G	Cross Shaft
H	Right Hand Auger Section with LH Flighting
I	Impeller
J	Left Hand Auger Section with RH Flighting



**Electrical
 Layout**
 Common to
500 & 600

HOOK-UP

PHYSICAL

The Compact Tractor snowblower is manufactured with a universal quicktach mounting plate. This allows the snowblower to be attached to most makes and models of tractors. Engage the angle plate in the mating top bracket, lift and tilt back. The locking pins need to align with their mating holes. Completely engage the pins and lock the handles down. As an option the mounting plate can be replaced by a pin mounting.

HYDRAULIC

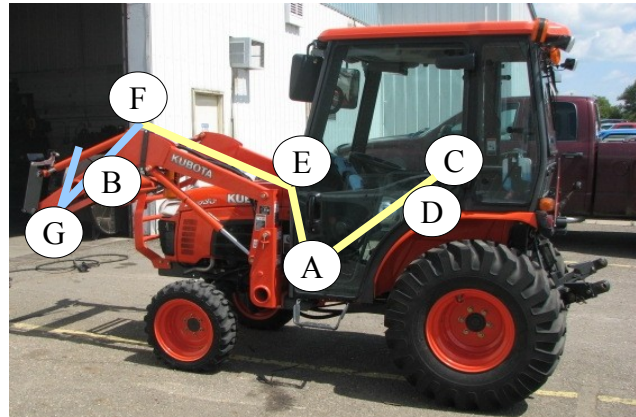
The snowblower is powered by a pair of hydraulic lines, all with flat faced connectors. Both models uses 84 inch hoses. Hoses are supplied with each machine. These hoses will fit most tractor makes and models. Some exceptions may require special hoses. Routing hoses will involve some choices and decision making. It's probably a good idea to follow existing hydraulic lines on the loader arms as much or as long as possible. Once away from those factory lines use good judgment to put slack at points where loader or bucket movement require. Avoid places where pinching or other possible damage to the hoses may occur.

One orbital motor turns hydraulic flow and pressure back to rotary power to drive the auger and impeller. Hydraulic pressure is also used to operate cylinders for the chute rotation and the deflector. All hydraulic functions require that the tractor PTO be engaged to start flow.

ELECTRICAL

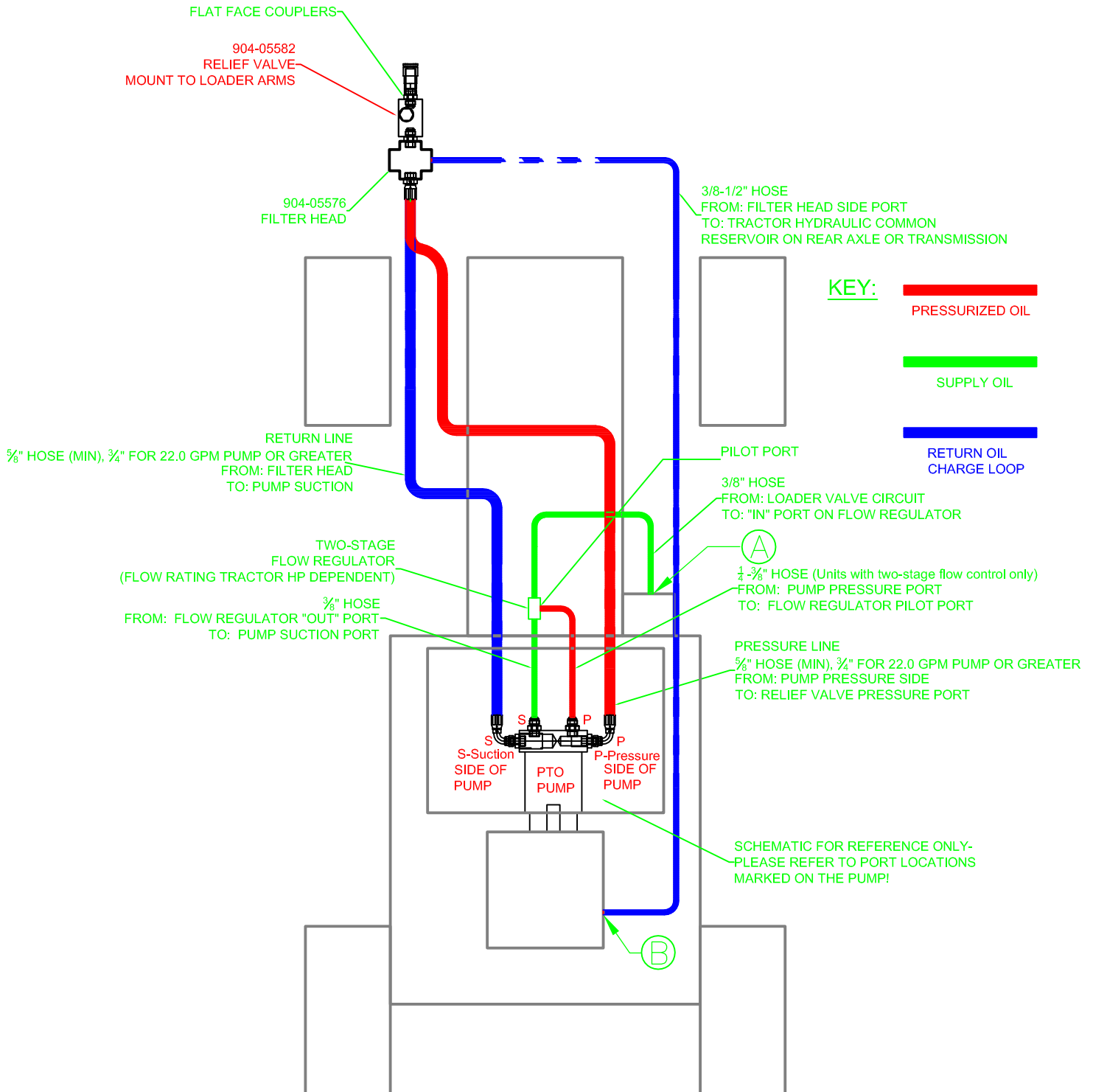
The two hydraulic cylinders mentioned in the above paragraph are controlled electrically. A handset and wiring harnesses are included with the snowblower. Like the hydraulic lines, the electrical wiring harnesses will need to be routed for your particular tractor make and model. The top view, line drawing on page 14 and **Figure 1** on this page will aid you.

Fig. 1 WIRE HARNESS ROUTING



These instructions are general in nature and specifics will be determined by the person installing the harness. Point C is the location of the handset or control box shown on page 14. Wiring harness A (yellow in diagram and **Fig. 1**) needs to run out of the tractor and along the loader arm. Tractors with cabs may provide a port for cables and harnesses, check for this accommodation. The nine socket connector of harness A plugs into the handset. At point D a red and a black wire break-out of the main harness. Connect these wires to positive and ground respectively. Route harness A approximately as shown in Figure 1. Provide enough slack at pivot point E to prevent pulling when loader arms are raised. Inversely, too much slack may cause the harness to become pinched in pivot points. Point F is the nine pin all-weather plug-in which has a mounting bracket provided. Wiring harness B is blue in the diagram and **Fig. 1**. Point G is another pivot point where some slack should be given for the bucket tilting. Excess slack may cause the harness to drag on the ground when loader arms are low. From pivot point G, wiring harness B needs to connect to the four harnesses on the snowblower.

COMPACT TRACTOR HYDRAULIC SYSTEM



Common

HYDRAULIC SYSTEM PRINCIPLES OF OPERATION

Refer to COMPACT TRACTOR HYDRAULIC SYSTEM on preceding page. Oil is supplied to the system at the loader circuit at point A. Oil flows to the flow regulator, which controls the amount of oil that is taken from the tractor. From here it travels to the suction port of the pump, where the pump “steps up” the flow. This oil is then pumped through the relief valve block to the female flat faced coupler on its way to run the snow blower. On the way back from the snow blower, the oil passes through the relief valve block and is filtered before returning to the suction side of the pump. Meanwhile, the same amount of flow (now filtered) that was taken from the tractor is returned to the tractor trans/axle by the hose coming out the side port of the filter head. On units equipped with a two-stage flow control, the other line running from the pump pressure port is used to signal the two-stage flow control when the pump is engaged by the operator.

INSTALLATION INSTRUCTIONS FOR HYDRAULIC SYSTEM

It is critical where the oil is taken from the tractor (at point A on your diagram). Find a pressurized oil line between your tractor auxiliary pump and your loader circuit. Intercept pressurized oil out of the pump before the oil reaches any other system. To make sure you have found the correct location, you can put a pressure gauge at this location. Any operation from the cab should make the pressure go up such as running of the loader, operation of the 3-point hitch, and operation of remote couplers. Most of the time, you will either be able to place a tee or tap into a banjo type of joint fitting to obtain your pressurized oil.

Place your flow regulator anywhere between locations A (supply oil) and the suction port of the pump. Measure the hose lengths you need. You will need (6) different hoses made and routed as shown in the diagram on units equipped with two-stage flow control. (5) hoses are needed on units without the two-stage flow control.

A common mistake in installation is placing the hoses on the wrong port of the pump. The pump ports should be marked as to which is the suction or inlet.

Also, make sure the pressure line goes to the female coupler of the relief valve. The return line goes from the filter head to the suction port of the pump.

The drain line coming out the side of the filter head must go to the trans/axle reservoir, noted as point B on your diagram. Usually you can tap into a drain plug in the rear axle or the bottom of the transmission. You might also find a pipe plug on the side of the transmission.

The hoses should be routed to follow the loader pivot points. Make sure the hoses do not crush or stretch with the full range of motion of the loader. Always install the filter element pointing toward the ground, making sure the tires will not hit your filter on uneven terrain.

SPECIAL INSTALLATION INSTRUCTIONS FOR PUMP

The pump will be supplied with mounting brackets for the rear PTO kit, and additional brackets when ordering the mid-PTO kit. When you tighten the bracket, make sure the bracket is holding the weight of the pump or pump/gearbox, and not misaligned. Improper alignment can cause damage to pump or tractor gearbox seals.

FINAL CHECKLIST:

1. Run tractor at idle for couple minutes before engaging PTO. This allows loop flow to fill all lines.
2. Start PTO at idle and check for: leaks on tractor, operation of chute and deflector, excessive noise, proper running of chains. Chute and deflector may need to be placed under load before they will move.
3. Run blower at full RPM, check for leaks, and blow snow
4. Tighten chains after running in snow after 1-2 hours of operation.
5. Normal hydraulic oil temperature is 160-200 deg F. This will feel hot to the touch, and will melt snow and have some water/steam on the hydraulic motors and lines. If unit seems excessively warm, check temperature of hydraulic system with infrared temperature gun.

OPERATION

OPTIMUM PERFORMANCE

Optimum snowblower performance is only achieved after 10 to 15 minutes of operation. In cold weather it is particularly important that the hydraulic oil be warmed up and flowing freely before evaluating performance.

Snowblower performance is highly sensitive to hydraulic pressure and flow. The higher the pressure and flow (while still remaining below 3000 psi), the higher the snowblower performance will be.

GENERAL PREPARATION

1. Read the operator's manual carefully before using the tractor and snowblower. Be thoroughly familiar with the controls and proper use of the equipment. Know how to stop the unit and disengage the controls quickly.
2. Wear adequate winter outer garments while operating equipment.
3. Make sure the snowblower is clear of snow and/or other debris before engaging the hydraulic system.
4. Make sure the auger and fan operate freely.
5. Adjust the skid shoes so the snowblower runs level.
6. To obtain optimum performance of the snowblower, the oil in the tractor hydraulic system must be warmed up for 10 to 15 minutes. Both the tractor and the snowblower should be run at reduced RPM and power until warmed up.

OPERATING CONTROLS

Hydraulic Deflector Control

Important: The snowblower drive system must be engaged to move the hydraulic deflector. The system has more speed and power for deflector operation when blowing snow.

To adjust the angle of deflector, push or depress the upper left switch to lower the deflector. Push the upper right switch to raise it. If the operation is not as described, reverse the switch wires.

Hydraulic Rotation Control

Important: The snowblower drive system must be engaged to rotate the hydraulic chute. Here again, more speed and power is available for rotation when blowing snow.

To turn the chute left (counterclockwise), push or depress the lower left switch. Push the lower right switch to move the chute to the right (clockwise). If the operation is not as described, reverse the switch wires.

GROUND SPEED

Ground speed or forward travel controls the amount of snow fed into the snowblower. Snow weight, density and depth can vary widely. Light, dry, moderate depth snow can be moved at higher speeds. Heavy, wet, deep or compacted, or icy snow will all require reduced speed. Let the snowblower work its way through deep snow. When conditions are severe, very low speed will be necessary. The snowblower is not designed to push snow. If snow begins to pile-up, cut back on ground speed. Overloading with wet snow can cause clogging in the chute and/or shear pins breaking.

Use full engine RPM when blowing wet, sticky snow. Low engine RPM contributes to chute clogging.

OPERATION (cont)



WARNING: To avoid serious personal injury: Do not use hands or feet to unclog chute or any other part of the machine. Do not attempt to clear clogged chute of snow chute while tractor engine is running. If the chute clogs, disengage the drive shaft, shut off the tractor engine, remove the ignition key, wait for all movement to stop, and then clear the snow from the chute. Use a long piece of wood (approx. 3 feet) to unclog the blower.



WARNING: To avoid serious injuries: Keep clear of rotating parts. Do not put hands or feet under, or into any part of the snowblower with engine running.

SKID SHOE ADJUSTMENT

Adjust the skid shoes so the the snowblower runs level and /or parallel to the grounds surface. Both skid shoes should be adjusted to the same height. Adequate clearance should be provided to prevent cutting edge from picking-up stones. Adjustment is done by moving washers and spacers above or below the mounting tube.

IMPORTANT: The fan and auger are driven by a hydraulic motor. Both the tractor relief valve and two shear bolts protect the snowblower. More specifically, model 600 blowers built after September 2011 and model 500 blowers built after October 2012 have shear bolts on the top cross shaft for the fan or impeller drive sprockets and the auger drive. When an object blocks the fan or the auger, the relief valve bypasses or the shear bolt(s) break and the snowblower stops. Once the object is removed and shear bolts are replaced, the snowblower can be restarted.

CAUTION: Continuous running of the snowblower at or over relief valve setting is inefficient, and will cause hydraulic system temperature to rise.

In deep snow it is good practice to cut the top layer first, back-up, then go forward to take another layer.



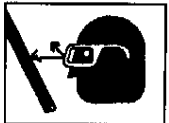

To transport or travel on roads, disengage the hydraulic system and raise the snowblower to a reasonable height.

MECHANICAL SPECIFICATIONS

Feature	5 Foot Specifications	6 Foot Specifications
Working Width	60"	74"
Working Height	28"	28"
Single/Dual Auger	Single	Single
Auger Diameter	18"	18"
Flighting Thickness	1/4"	1/4"
Fan Diameter	18"	18"
Cutting Edge, Replaceable	1/2" x 4" x 56.6" Long	1/2" x 4" x 71" Long
Main Hydraulic Hoses	3/4" I.D.	3/4" I.D.

MAINTENANCE

ALWAYS USE GENUINE REPLACEMENT PARTS

1. Keep the tractor and snowblower properly maintained.
2. When doing maintenance, making adjustments, or replacing worn parts be sure proper shut down has occurred. Park the tractor and snowblower on level ground, place the transmission in neutral, set the parking brake, disengage the equipment drive, lower the equipment to the ground, place all control levers in neutral, shut off the engine and remove the ignition key and allow the rotating parts to stop BEFORE making any adjustments or repairs.
3. Roller chains in drive applications loosen during use. The chain should be checked after the first hour of use and tightened if needed. Check chain tightness periodically.
4. To avoid injury, do not adjust, unclog or service the snowblower with the tractor engine running. Make sure rotating components have completely stopped before leaving the operator's seat.
5. Keep the tractor/snowblower clean. Snow and ice build-up from thawing and refreezing can lead to malfunction or personal injury.
6. Wear eye protection when cleaning or servicing the snowblower.
7. Service the unit in safety: DO NOT service the tractor while the engine is running or hot, or if the unit is in motion. Always lower snowblower to the ground. If necessary to service unit with blower raised, securely support with stands or suitable blocking before working underneath. Do not rely on hydraulically supported devices for your safety. Hydraulics can leak down either slowly (settling) or quite suddenly, or be accidentally lowered.
8. Do not attempt to service machine, clear obstructions or unplug blockages with the engine running. Always shut off engine and allow all motion to cease.
9. The manufacturer will not claim responsibility for modifications or non-genuine parts and/or accessories and any damages as a result of their use.
10. Make sure all shields and guards are securely in place following all service, cleaning, repair work.
11. Do not modify or alter this equipment or any of its components or operating functions. If you have questions concerning modification, consult your dealer.
12. Do not operate a unit, which is defective or has missing parts. Make sure that all recommended maintenance procedures are completed before operating the unit.
13. Check all controls regularly and adjust where necessary. Make sure that the tractor brakes are properly adjusted.
14. Periodically check all nuts and bolts for tightness, especially wheel hub and rim nuts.
15. Snowblower fan and auger must be checked for tightness. Remove any twine, wire, etc. that may have wrapped on the fan or the auger.
16.  **WARNING:** To avoid serious personal injury, wear proper hand and eye protection! Escaping hydraulic/diesel fluid under pressure can penetrate the skin! Very serious infection can occur when petroleum products enter the blood system. Seek medical attention **immediately!** Do not use your hands to check for leaks. Use a piece of cardboard or paper to search for leaks.

MAINTENANCE (cont.)

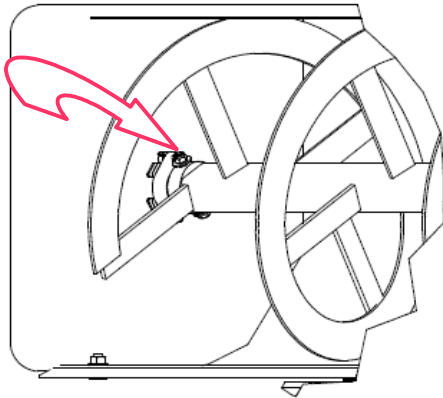
17. Stop engine and relieve hydraulic pressure before connecting or disconnecting lines. Tighten all connections before starting engine or pressurizing lines.

18. SHEAR PROTECTION

The compact tractor snowblower is shear protected in multiple ways.

First by two 3/8 X 3-1/2", Grade 5, Hex Head capscrews located at each end of the auger shaft.

See diagram below.



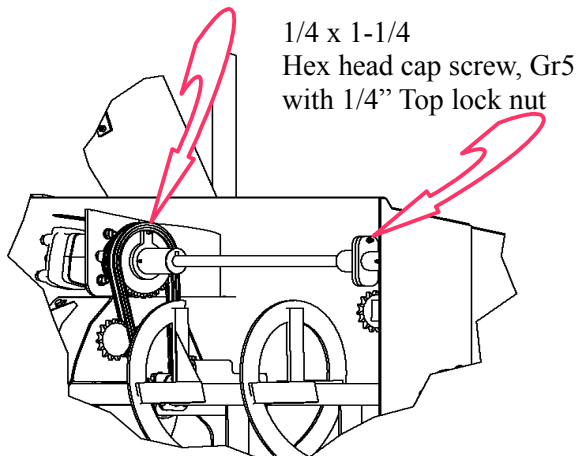
Secondly, by the hydraulic relief valve which is normally mounted on the loader arm.

Thirdly, current, redesigned snowblower models have shear bolts located on the top cross shaft.

10-24 x 1-1/4

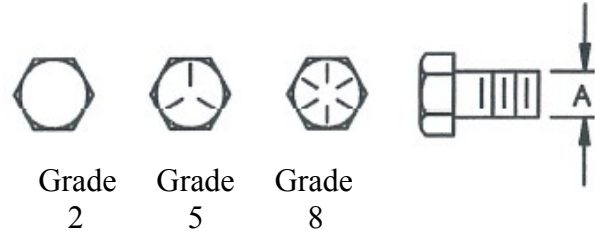
Socket head cap screw, Gr8 with

10-24 NC nylon lock nut, Zp



BOLT TORQUE SPECIFICATIONS

The table shown below gives correct torque values for various bolts and cap screws. Tighten all bolts to the torques specified in this chart unless otherwise noted. Check tightness of bolts periodically, using bolt torque chart as a guide. Replace hardware with the same grade or strength bolt. Bolt and cap screws are identified by their head markings.



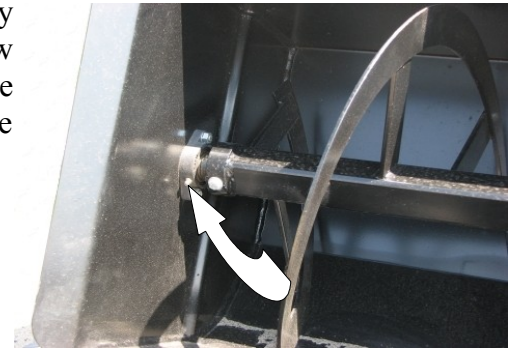
Torque Specifications in Pound-Feet

Bolt Diameter "A"	SAE 2	SAE 5	SAE 8
1/4"	6	9	12
5/16"	10	19	27
3/8"	20	33	45
7/16"	30	53	75
1/2"	45	80	115
9/16"	70	115	165
5/8"	95	160	220
3/4"	165	290	400
7/8"	170	420	650
1"	225	630	970

Torque figures indicated above are valid for non-greased or non-oiled threads and heads unless otherwise specified. Therefore, do not grease or oil bolts or cap screws unless specified in this manual. When using locking elements, increase torque values by 5%. Figures apply to both coarse and fine threads.

LUBRICATION

The Compact Tractor snowblower has two grease fittings. They lubricate the bearings on each end of the auger. Grease a new snowblower with 1 or 2 shots of grease. Greasing during the season will be determined by hours of use. Greasing should be done at both the beginning and end of each season.



TROUBLE SHOOTING

The Compact Tractor snowblower is both innovative and simple. It gives you a loader mounted, full tractor horsepower snowblower, in a compact design.

In the following section, we have listed possible problems, causes and solutions to the problems that you may encounter. If you have a problem that is not listed or too difficult to solve, even after having read through this section, please call your local Sheyenne Manufacturing dealer. Before you call, have this Operator's Manual and the serial number from your machine ready.

PROBLEM	CAUSE	SOLUTION
Snowblower does not run	Hydraulic couplers not engaged	Push couplers in until they engage
	No hydraulic pressure to the snowblower	Engage the tractor PTO
	Blockage in auger or fan	Remove ice, snow or any foreign objects from auger or fan
Snowblower runs in reverse	Incorrect hydraulic hook-up	Reverse hydraulic couplers.
Chute (spout) will not turn. Deflector wouldn't operate	Ice and/or snow build-up	Remove ice and/or snow. Chute and Deflector will operate better when snow is being blown, hydraulic pressure and flow cause this effect.
	Low voltage	Check for 12 volts at <u>switch</u> and <u>coils</u> . Charge or change the battery
	No voltage	Check ground wire. Correct continuity problem
	No or low voltage on hydraulic block	Replace coil
	Handset breaker tripped	Reset breaker
Chute (spout) turns as soon as hydraulics are enabled	Dirt or bad O-ring in directional control valve in hydraulic block	Clear dirt or replace O-ring
Cutting edge 'digs in'	Skid shoes too high	Adjust skid shoes down or raise the loader arms

HYDRAULIC SYSTEM TROUBLESHOOTING GUIDE

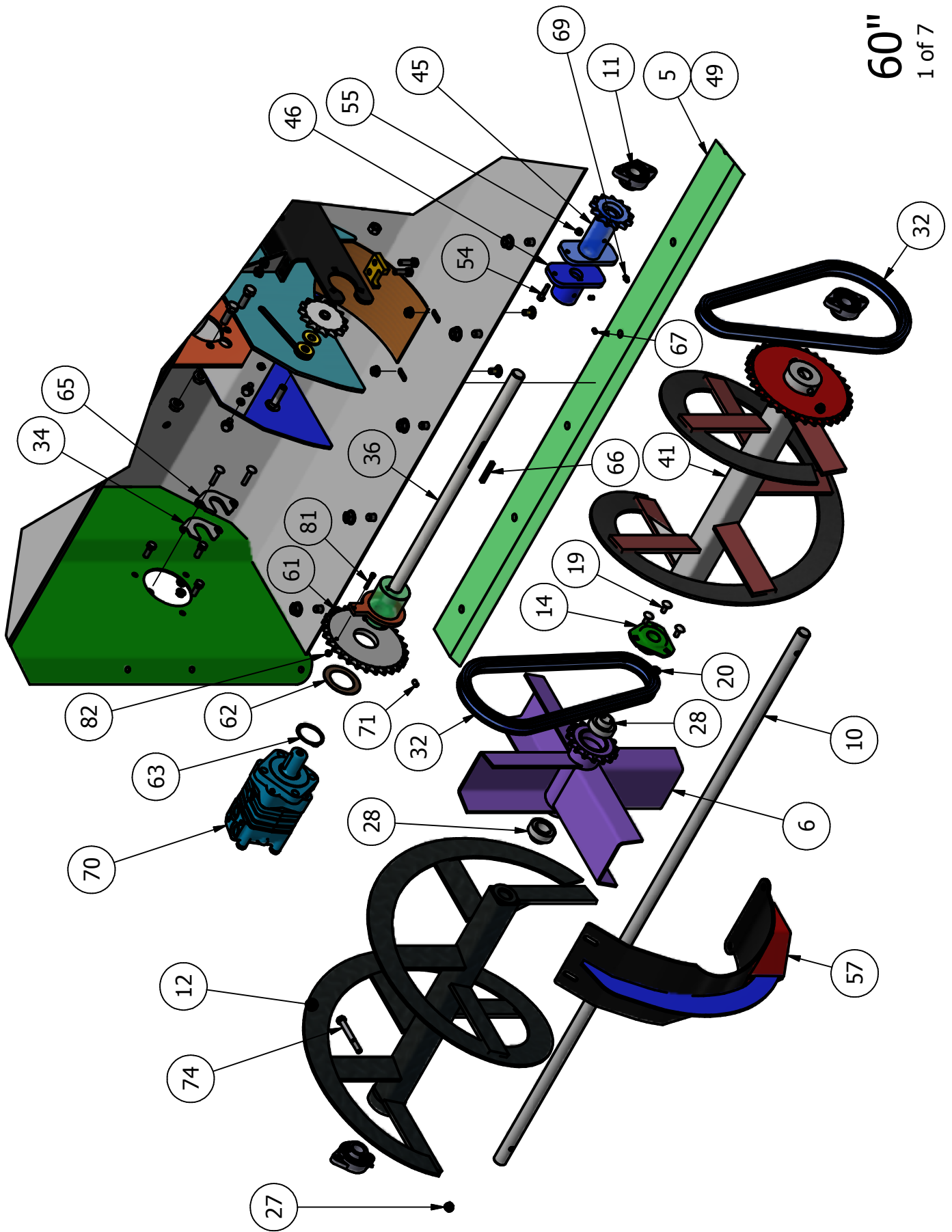
PROBLEM	CAUSE	SOLUTION
Snow blower does not run	Flow control installed backwards	Ensure arrow on flow control is pointing toward pump suction; on variable flow units the out port faces pump suction
	PTO not engaged	Engage PTO
Hydraulic system overheating	Restriction in supply or drain line	Remove blockage and/or install larger diameter hose and fittings
	Faulty flow control valve	Repair or replace
	Plugged oil filter	Repair or replace
	Incorrect flow control or orifice	Replace with correct one
	Supply oil was taken from incorrect location	See installation instructions for correct location to take supply oil from tractor
	Faulty relief valve	Ensure relief valve does not open until system pressure is 3500 psi
Poor performance of snow blower	Worn pump or motor	Measure flow at pump or motor when oil is warm and when oil is hot. Flow should not be reduced by more than 1-5% when hot and under load.
	Incorrect size of pump. Motor on tractor should pull down as blower is placed under load	Install correct pump
	Incorrect installation of hoses and/or hydraulic components	See installation instructions for correct location
	Impeller blades are bent	Repair or replace



PARTS & INDEX SECTION

TABLE OF CONTENTS

DESCRIPTION	GROUP / SHEETS	PAGE
Exploded Assembly, 60 Inch	1 of 7	27
Parts List, 60 Inch	2 of 7	28
Exploded Assembly, 60 Inch	3 of 7	29
Parts List, 60 Inch	4 of 7	30
Exploded Assembly, 60 Inch	5 of 7	31
Parts List, 60 Inch	6 of 7	32
Hydraulic Components & Parts, 60 Inch	7 of 7	33
Exploded Assembly, 74 Inch	1 of 7	34
Parts List, 74 Inch	2 of 7	35
Exploded Assembly, 74 Inch	3 of 7	36
Parts List, 74 Inch	4 of 7	37
Exploded Assembly, 74 Inch	5 of 7	38
Parts List, 74 Inch	6 of 7	39
Hydraulic Components & Parts, 74 Inch	7 of 7	40
Decal Locations, Common to 60" & 74"	1	41
Decals & Parts List	1	42
Index	2	43 & 44



60"
1 of 7

PARTS LIST			PARTS LIST			PARTS LIST					
ITEM	QTY	PART NUMBER	DESCRIPTION	ITEM	QTY	PART NUMBER	DESCRIPTION	ITEM	QTY	PART NUMBER	DESCRIPTION
1	1	320-2-1304	MF WELDMENT, CT	30	10	6905346	WASHER	59	2	320-3-2022	RACK GUIDE
2	1	320-2-1139	DEFLECTOR WELDMENT	31	1	320-3-1985	SHIELD, CONTROL VALVE	60	1	320-3-2023	RACK GUIDE, MIDDLE
3	1	320-2-1103	CYLINDER PIN WELDMENT	32	2	903-03139 & 903-03062/89	#60-1 Roller chain with connector link & half link	61	1	320-3-1954	DRIVE SPROCKET, IMPELLER SHEAR
4	2	905-21206	HYD. CYLINDER	33	6	900-06135	1/4" SERR. FLANGE NUT	62	1	320-3-1955	THRUST WASHER, IMPELLER SHEAR
5	1	320-3-2040	60" CUTTING EDGE	34	3	320-3-1791 - QTY varies as required	SHIM, 2 BOLT 205-16 FLANGE BEARING	63	1	903-15693	External Retaining Rings 2"
6	1	320-2-1303	FAN WELDMENT	35	1	900-23043	3/16 X 1-1/2 COTTER PIN	64	6	900-03436	3/8 X 3/4 SERR FLANGE BOLT GR5
7	2	320-2-1187	SKID PLATE WELDMENT	36	1	320-2-1305	IMPELLER SHEAR WLDT	65	3	320-3-1790 - QTY varies as required	SHIM, 2 BOLT 205-16 FLANGE BEARING
8	12	320-3-1445	BUSHING, SPACER	37	1	320-3-1983	ROTATION CHUTE RACK	66	1	320-3-1194	KEY, 1/4 X 2
9	2	900-25012	7/16 x 1 3/4 Lynch Pin	38	1	320-2-1295	DISCHARGE CHUTE CT	67	2	900-16329	SET SCREW, 1/4NCX3/8
10	1	320-3-2041	CENTER DRIVE SHAFT	39	1	320-3-2065	GUIDE CAP	68	1	320-1-0161	BOBCAT QUICK-TACH KIT
11	3	901-01346	FLANGE BRG 2 BOLT	40	1	320-3-2018	SPACER, CHUTE ROTATE	69	1	905-15024	1/4-28 NF ST. GREASE ZERK
12	1	320-2-1307	WELDMENT, AUGER LH FLIGHTING	41	1	320-2-1306	AUGER WLDT, RH FLIGHTING	70	1	904-05578	HYDRAULIC MOTOR OMS100
13	2	320-3-1286	SPROCKET, 6015 IDLER	42	1	320-3-2019	FLANGE BEARING	71	2	900-16361	5/16 NC X 1/2 SET SCREW CUP PT
14	1	901-01347	FLANGE BEARING	43	1	900-01231	FHPFTZ205-16	72	4	900-01225	1/2NC X 1-1/2 HEX BOLT G5
15	16	900-06139	3/8 NC SERR FLANGE NUT	44	3	900-06504	1/2 - 13 X 2-1/4 HHCS GR 5	73	6	900-01671	Round Head Square Neck Bolt 5/16-18 UNC - 1-1/2
16	11	900-06143	1/2 NC SERR FLANGE NUT	45	1	320-2-1297	1/2" NC TOPLOCK NUT	74	2	900-01127	Hex Bolt - UNC (Regular Thread - Inch) 3/8 X 3-1/4
17	2	900-01694	3/8NC X 3/4 CARRIAGE BOLT	46	1	320-2-1296	SHEAR, DRIVEN TUBE SHEAR W/A - KEYED	75	1	900-01233	1/2-13 X 2-1/2 GR 5 HHCS ZP
18	6	900-01001	1/4-20 x 1/2 GR 5 HHCS	47	1	320-3-2020	CHAIN STRIPPER	76	1	320-3-2068	PINION, CHUTE ROTATE
19	5	900-01668	5/16 X 3/4 SHRT NECK CARR BOLT GR5	48	3	320-3-1938	KEEPER, BEARING - 1/4"	77	12	900-01109	3/8-16 X 1 GR 5 HHCS
20	11	900-06137	5/16 NC SERR FLANGE NUT	49	6	S8FH.5X1.25	Hexagon Socket Flat Countersunk Head Cap Screw 1/2 X 1-1/4	78	1	900-06276	1/2-13 JAM NUT ZP
21	1	320-3-1428	CHUTE DEFLECTOR PIN	50	1	320-2-1217	DIRECTIONAL CONTROL VALVE	79	2	900-06584	Prevailing Torque Type Hex Nut 3/8"
22	2	900-29114	ROLL PIN, 1/8 X 3/4	51	2	900-01753	1/2NC X 2 CARRIAGE BOLT GR5	80	1	900-01701	3/8NC X 2-1/2 CARRIAGE BOLT G5
23	10	900-11186	3/4 SAE FLAT WASHER	52	1	900-01415	3/4-10 X 3-1/2 GR 5 HHCS	81	1	S8SH10-32X1.25ZP	Hexagon Socket Head Cap Screw ASTM A574 10-32 X 1-1/4"
24	2	900-01121	3/8 NC X 2.5 HEX BOLT G5	53	1	900-06147	3/4 - 10 FLANGE NUT	82	1	900-06579	Prevailing Torque Type Hex Nut No. 10-32
25	1	320-3-1450	CYLINDER BUSHING	54	1	900-01011	1/4NC X 1-1/4 HEX BOLT GR5				
26	6	900-11178 - QTY varies as required	3/8 SAE FLAT WASHER	55	1	900-06496	1/4-20 TOPLOCK NUT				
27	3	900-06500	3/8 TOPLOCK NUT- UNC	56	1	320-2-1294	MOUNT, CHUTE ROTATE				
28	2	901-01348	CYLINDRICAL BEARING FHRSR205-16	57	1	320-2-1301	IMPELLER GUARD				
29	11	900-11035 - QTY varies as required	1/2" USS FLATWASHER	58	2	900-01111	3/8-16 X 1-1/4 GR 5 HHCS				

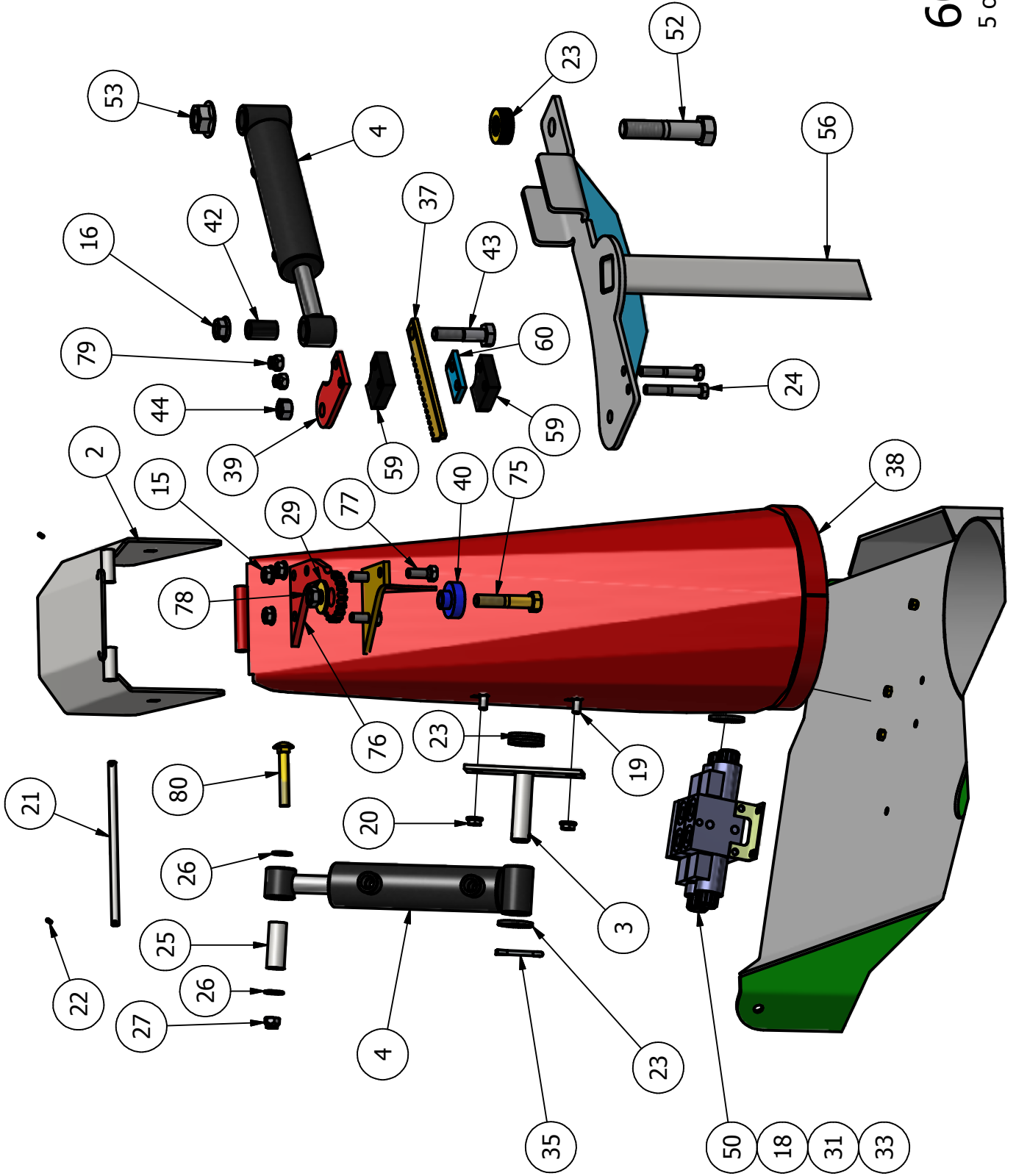
This page is common to 30 & 32

60" 2 of 7

PARTS LIST			PARTS LIST			PARTS LIST					
ITEM	QTY	PART NUMBER	DESCRIPTION	ITEM	QTY	PART NUMBER	DESCRIPTION	ITEM	QTY	PART NUMBER	DESCRIPTION
1	1	320-2-1304	MF WELDMENT, CT	30	10	6905346	WASHER	59	2	320-3-2022	RACK GUIDE
2	1	320-2-1139	DEFLECTOR WELDMENT	31	1	320-3-1985	SHIELD, CONTROL VALVE	60	1	320-3-2023	RACK GUIDE, MIDDLE
3	1	320-2-1103	CYLINDER PIN WELDMENT	32	2	903-03139 & 903-03062/89	#60-1 Roller chain with connector link & half link	61	1	320-3-1954	DRIVE SPROCKET, IMPELLER SHEAR
4	2	905-21206	HYD. CYLINDER	33	6	900-06135	1/4" SERR. FLANGE NUT	62	1	320-3-1955	THRUST WASHER, IMPELLER SHEAR
5	1	320-3-2040	60" CUTTING EDGE	34	3	320-3-1791 - QTY varies as required	SHIM, 2 BOLT 205-16 FLANGE BEARING	63	1	903-15693	External Retaining Rings 2"
6	1	320-2-1303	FAN WELDMENT	35	1	900-23043	3/16 X 1-1/2 COTTER PIN	64	6	900-03436	3/8 X 3/4 SERR FLANGE BOLT GR5
7	2	320-2-1187	SKID PLATE WELDMENT	36	1	320-2-1305	IMPELLER SHEAR WLDT	65	3	320-3-1790 - QTY varies as required	SHIM, 2 BOLT 205-16 FLANGE BEARING
8	12	320-3-1445	BUSHING, SPACER	37	1	320-3-1983	ROTATION CHUTE RACK	66	1	320-3-1194	KEY, 1/4 X 2
9	2	900-25012	7/16 x 1 3/4 Lynch Pin	38	1	320-2-1295	DISCHARGE CHUTE CT	67	2	900-16329	SET SCREW, 1/4NCX3/8
10	1	320-3-2041	CENTER DRIVE SHAFT	39	1	320-3-2065	GUIDE CAP	68	1	320-1-0161	BOBCAT QUICK-TACH KIT
11	3	901-01346	FLANGE BRG 2 BOLT	40	1	320-3-2018	SPACER, CHUTE ROTATE	69	1	905-15024	1/4-28 NF ST. GREASE ZERK
12	1	320-2-1307	WELDMENT, AUGER LH FLIGHTING	41	1	320-2-1306	AUGER WLDT, RH FLIGHTING	70	1	904-05578	HYDRAULIC MOTOR OMS100
13	2	320-3-1286	SPROCKET, 6015 IDLER	42	1	320-3-2019	FLANGE BEARING	71	2	900-16361	5/16 NC X 1/2 SET SCREW CUP PT
14	1	901-01347	FLANGE BEARING	43	1	900-01231	FHPFTZ205-16	72	4	900-01225	1/2NC X 1-1/2 HEX BOLT G5
15	16	900-06139	3/8 NC SERR FLANGE NUT	44	3	900-06504	1/2 - 13 X 2-1/4 HHCS GR 5	73	6	900-01671	Round Head Square Neck Bolt 5/16-18 UNC - 1-1/2
16	11	900-06143	1/2 NC SERR FLANGE NUT	45	1	320-2-1297	1/2" NC TOPLOCK NUT	74	2	900-01127	Hex Bolt - UNC (Regular Thread - Inch) 3/8 X 3-1/4
17	2	900-01694	3/8NC X 3/4 CARRIAGE BOLT	46	1	320-2-1296	SHEAR, DRIVEN TUBE SHEAR W/A - KEYED	75	1	900-01233	1/2-13 X 2-1/2 GR 5 HHCS ZP
18	6	900-01001	1/4-20 x 1/2 GR 5 HHCS	47	1	320-3-2020	CHAIN STRIPPER	76	1	320-3-2068	PINION, CHUTE ROTATE
19	5	900-01668	5/16 X 3/4 SHRT NECK CARR BOLT GR5	48	3	320-3-1938	KEEPER, BEARING - 1/4"	77	12	900-01109	3/8-16 X 1 GR 5 HHCS
20	11	900-06137	5/16 NC SERR FLANGE NUT	49	6	S8FH.5X1.25	Hexagon Socket Flat Countersunk Head Cap Screw 1/2 X 1-1/4	78	1	900-06276	1/2-13 JAM NUT ZP
21	1	320-3-1428	CHUTE DEFLECTOR PIN	50	1	320-2-1217	DIRECTIONAL CONTROL VALVE	79	2	900-06584	Prevailing Torque Type Hex Nut 3/8"
22	2	900-29114	ROLL PIN, 1/8 X 3/4	51	2	900-01753	1/2NC X 2 CARRIAGE BOLT GR5	80	1	900-01701	3/8NC X 2-1/2 CARRIAGE BOLT G5
23	10	900-11186	3/4 SAE FLAT WASHER	52	1	900-01415	3/4-10 X 3-1/2 GR 5 HHCS	81	1	S8SH10-32X1.25ZP	Hexagon Socket Head Cap Screw ASTM A574 10-32 X 1-1/4"
24	2	900-01121	3/8 NC X 2.5 HEX BOLT G5	53	1	900-06147	3/4 - 10 FLANGE NUT	82	1	900-06579	Prevailing Torque Type Hex Nut No. 10-32
25	1	320-3-1450	CYLINDER BUSHING	54	1	900-01011	1/4NC X 1-1/4 HEX BOLT GR5				
26	6	900-11178 - QTY varies as required	3/8 SAE FLAT WASHER	55	1	900-06496	1/4-20 TOPLOCK NUT				
27	3	900-06500	3/8 TOPLOCK NUT- UNC	56	1	320-2-1294	MOUNT, CHUTE ROTATE				
28	2	901-01348	CYLINDRICAL BEARING FHSR205-16	57	1	320-2-1301	IMPELLER GUARD				
29	11	900-11035 - QTY varies as required	1/2" USS FLATWASHER	58	2	900-01111	3/8-16 X 1-1/4 GR 5 HHCS				

This page is common to 28 & 32

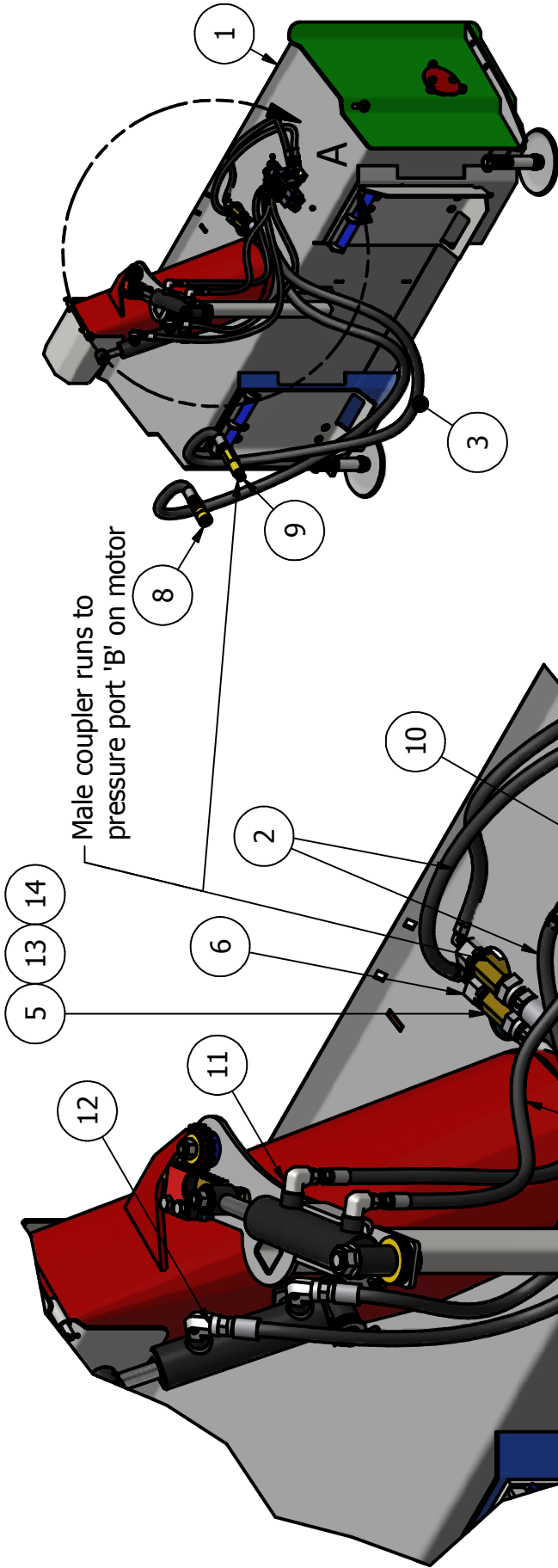
60"
4 of 7



PARTS LIST			PARTS LIST			PARTS LIST					
ITEM	QTY	PART NUMBER	DESCRIPTION	ITEM	QTY	PART NUMBER	DESCRIPTION	ITEM	QTY	PART NUMBER	DESCRIPTION
1	1	320-2-1304	MF WELDMENT, CT	30	10	6905346	WASHER	59	2	320-3-2022	RACK GUIDE
2	1	320-2-1139	DEFLECTOR WELDMENT	31	1	320-3-1985	SHIELD, CONTROL VALVE	60	1	320-3-2023	RACK GUIDE, MIDDLE
3	1	320-2-1103	CYLINDER PIN WELDMENT	32	2	903-03139 & 903-03062/89	#60-1 Roller chain with connector link & half link	61	1	320-3-1954	DRIVE SPROCKET, IMPELLER SHEAR
4	2	905-21206	HYD. CYLINDER	33	6	900-06135	1/4" SERR. FLANGE NUT	62	1	320-3-1955	THRUST WASHER, IMPELLER SHEAR
5	1	320-3-2040	60" CUTTING EDGE	34	3	320-3-1791 - QTY varies as required	SHIM, 2 BOLT 205-16 FLANGE BEARING	63	1	903-15693	External Retaining Rings 2"
6	1	320-2-1303	FAN WELDMENT	35	1	900-23043	3/16 X 1-1/2 COTTER PIN	64	6	900-03436	3/8 X 3/4 SERR FLANGE BOLT GR5
7	2	320-2-1187	SKID PLATE WELDMENT	36	1	320-2-1305	IMPELLER SHEAR WLDT	65	3	320-3-1790 - QTY varies as required	SHIM, 2 BOLT 205-16 FLANGE BEARING
8	12	320-3-1445	BUSHING, SPACER	37	1	320-3-1983	ROTATION CHUTE RACK	66	1	320-3-1194	KEY, 1/4 X 2
9	2	900-25012	7/16 x 1 3/4 Lynch Pin	38	1	320-2-1295	DISCHARGE CHUTE CT	67	2	900-16329	SET SCREW, 1/4NCX3/8
10	1	320-3-2041	CENTER DRIVE SHAFT	39	1	320-3-2065	GUIDE CAP	68	1	320-1-0161	BOBCAT QUICK-TACH KIT
11	3	901-01346	FLANGE BRG 2 BOLT	40	1	320-3-2018	SPACER, CHUTE ROTATE	69	1	905-15024	1/4-28 NF ST. GREASE ZERK
12	1	320-2-1307	WELDMENT, AUGER LH FLIGHTING	41	1	320-2-1306	AUGER WLDT, RH FLIGHTING	70	1	904-05578	HYDRAULIC MOTOR OMS100
13	2	320-3-1286	SPROCKET, 6015 IDLER	42	1	320-3-2019	FLANGE BEARING	71	2	900-16361	5/16 NC X 1/2 SET SCREW CUP PT
14	1	901-01347	FLANGE BEARING	43	1	900-01231	FHPFTZ205-16	72	4	900-01225	1/2NC X 1-1/2 HEX BOLT G5
15	16	900-06139	3/8 NC SERR FLANGE NUT	44	3	900-06504	1/2 - 13 X 2-1/4 HHCS GR 5	73	6	900-01671	Round Head Square Neck Bolt 5/16-18 UNC - 1-1/2
16	11	900-06143	1/2 NC SERR FLANGE NUT	45	1	320-2-1297	1/2" NC TOPLOCK NUT	74	2	900-01127	Hex Bolt - UNC (Regular Thread - Inch) 3/8 X 3-1/4
17	2	900-01694	3/8NC X 3/4 CARRIAGE BOLT	46	1	320-2-1296	SHEAR, DRIVEN TUBE SHEAR W/A - KEYED	75	1	900-01233	1/2-13 X 2-1/2 GR 5 HHCS ZP
18	6	900-01001	1/4-20 x 1/2 GR 5 HHCS	47	1	320-3-2020	CHAIN STRIPPER	76	1	320-3-2068	PINION, CHUTE ROTATE
19	5	900-01668	5/16 X 3/4 SHRT NECK CARR BOLT GR5	48	3	320-3-1938	KEEPER, BEARING - 1/4"	77	12	900-01109	3/8-16 X 1 GR 5 HHCS
20	11	900-06137	5/16 NC SERR FLANGE NUT	49	6	S8FH.5X1.25	Hexagon Socket Flat Countersunk Head Cap Screw 1/2 X 1-1/4	78	1	900-06276	1/2-13 JAM NUT ZP
21	1	320-3-1428	CHUTE DEFLECTOR PIN	50	1	320-2-1217	DIRECTIONAL CONTROL VALVE	79	2	900-06584	Prevailing Torque Type Hex Nut 3/8"
22	2	900-29114	ROLL PIN, 1/8 X 3/4	51	2	900-01753	1/2NC X 2 CARRIAGE BOLT GR5	80	1	900-01701	3/8NC X 2-1/2 CARRIAGE BOLT G5
23	10	900-11186	3/4 SAE FLAT WASHER	52	1	900-01415	3/4-10 X 3-1/2 GR 5 HHCS	81	1	S8SH10-32X1.25ZP	Hexagon Socket Head Cap Screw ASTM A574 10-32 X 1-1/4"
24	2	900-01121	3/8 NC X 2.5 HEX BOLT G5	53	1	900-06147	3/4 - 10 FLANGE NUT	82	1	900-06579	Prevailing Torque Type Hex Nut No. 10-32
25	1	320-3-1450	CYLINDER BUSHING	54	1	900-01011	1/4NC X 1-1/4 HEX BOLT GR5				
26	6	900-11178 - QTY varies as required	3/8 SAE FLAT WASHER	55	1	900-06496	1/4-20 TOPLOCK NUT				
27	3	900-06500	3/8 TOPLOCK NUT- UNC	56	1	320-2-1294	MOUNT, CHUTE ROTATE				
28	2	901-01348	CYLINDRICAL BEARING FHSR205-16	57	1	320-2-1301	IMPELLER GUARD				
29	11	900-11035 - QTY varies as required	1/2" USS FLATWASHER	58	2	900-01111	3/8-16 X 1-1/4 GR 5 HHCS				

This page is common to 28 & 30

60"
6 of 7



Male coupler runs to pressure port 'B' on motor

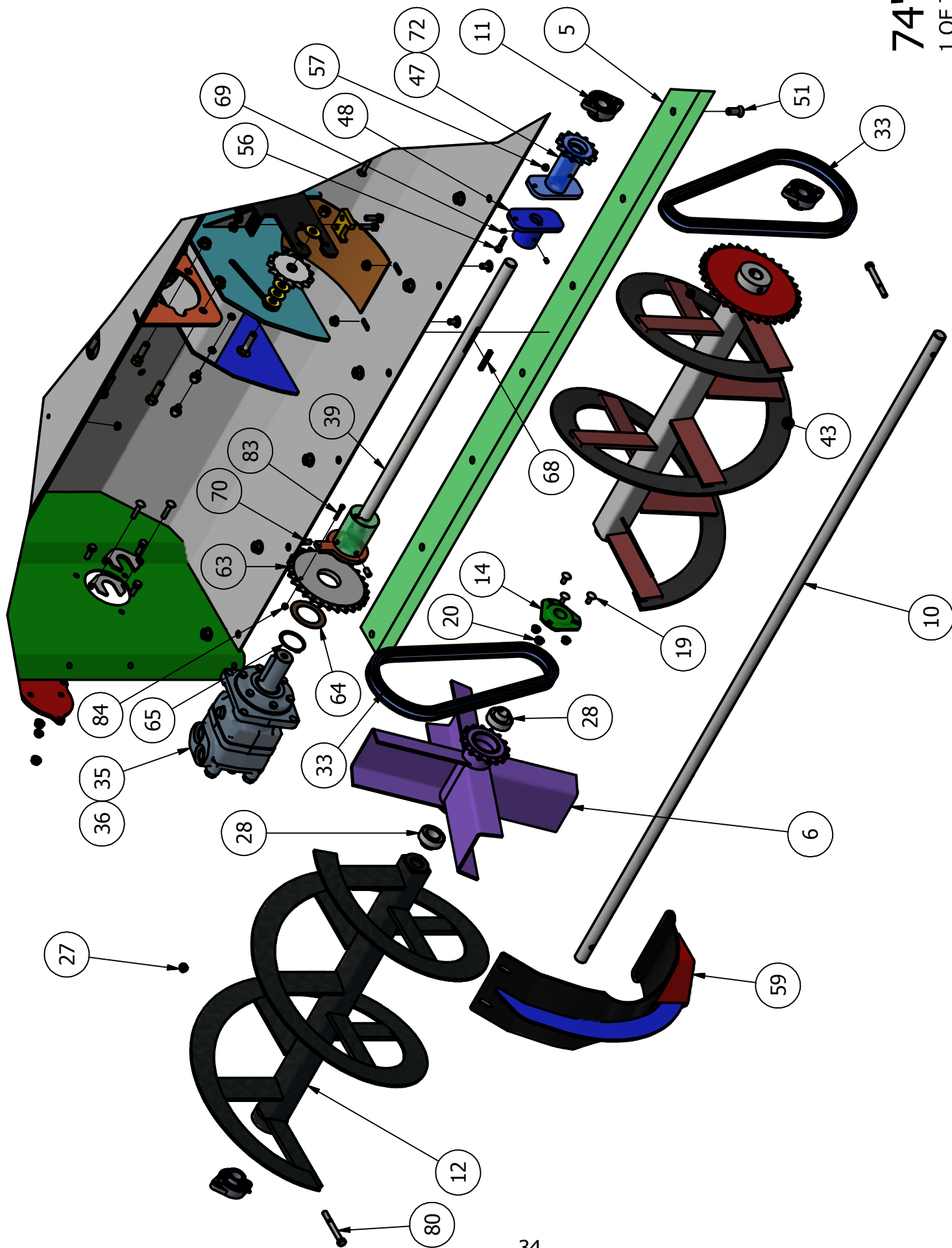
904-06157 to chute rotator

904-06114 to chute deflector

904-06157: one hose must be routed from pressure port 'B' on motor to pressure port on 320-2-1217

60"
7 of 7

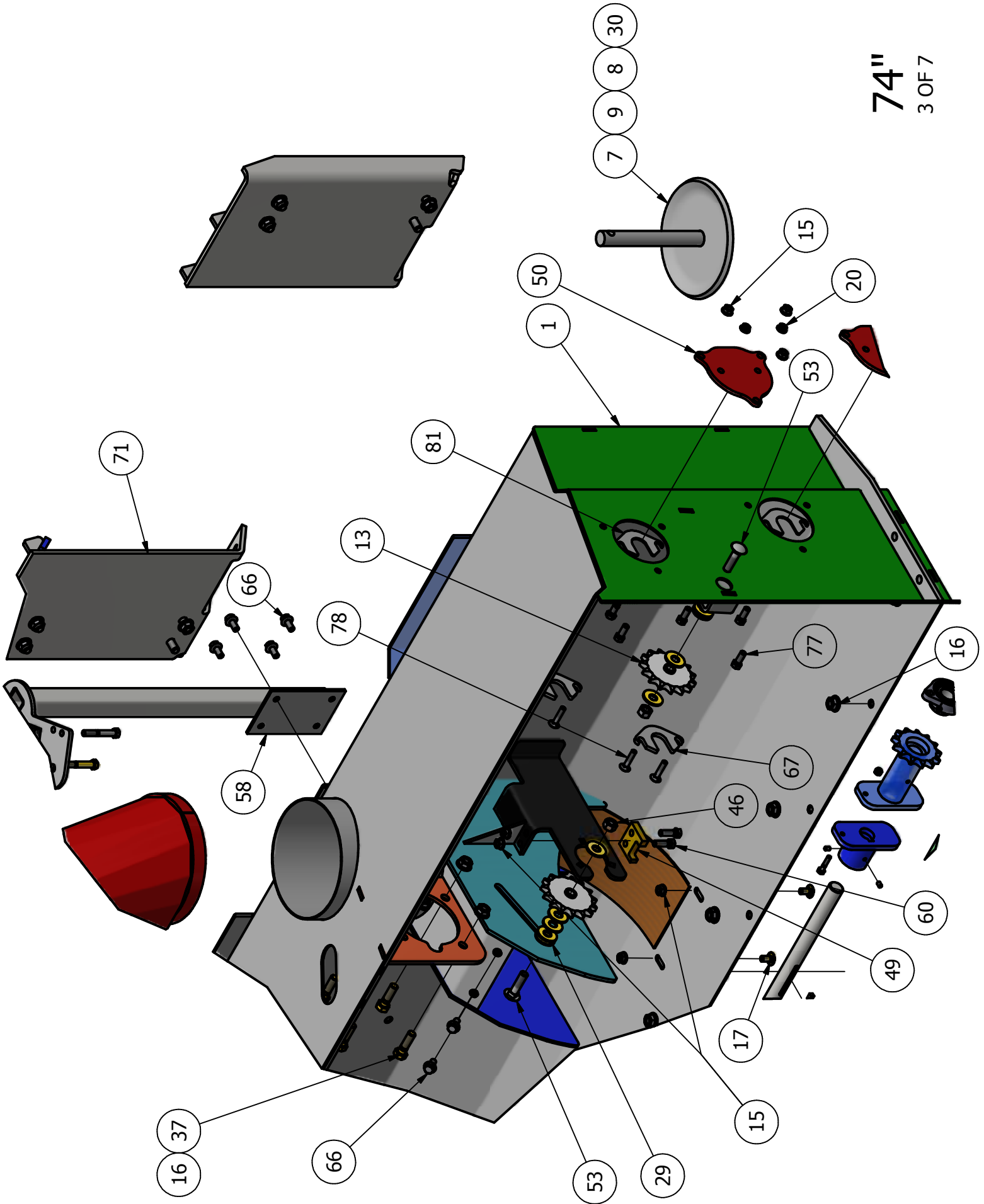
PARTS LIST			
ITEM	QTY	PART NUMBER	DESCRIPTION
1	1	320-0-0531	SNOWBLOWER, 60" CT
2	4	904-06157	1/4" HOSE, 6FJX90-6FJX-26.5"
3	2	904-06149	3/4" HOSE, 12FJX-12MB-84"
4	2	904-06114	1/4" HOSE, 6MPX-6FJX90-57.5"
5	2	904-08146	Branch Tee, 12MJ-12MJ-12FJX
6	2	904-08110	ADAPTER, 12FJ-6MJ
7	5	904-05513	STRT ADAPTER, 6MB - 6MJ
8	1	6672960	HYD COUPLER FEM. 2FFI1234SAEF
9	1	6674688	HYD COUPLER MALE 3FFI1234SAEF
10	1	904-08105	RESTRICTOR, 6400-06-06-O-R.047
11	2	904-08036	ELBOW, 6MJ-6MP90
12	2	904-08004	ELBOW, 6MP-6FP-90
13	2	904-08040	ADAPTER, 10MJ-10MB STRAIGHT
14	2	904-08148	ADAPTER, 10FJ-12MJ STRAIGHT
15	2	904-08150	ELBOW, 6MJ-6FJX45



PARTS LIST			PARTS LIST			PARTS LIST					
ITEM	QTY	PART NUMBER	DESCRIPTION	ITEM	QTY	PART NUMBER	DESCRIPTION	ITEM	QTY	PART NUMBER	DESCRIPTION
1	1	320-2-1300	MF WELDMENT, CT	31	1	320-3-1985	SHIELD, CONTROL VALVE	61	2	320-3-2022	RACK GUIDE
2	1	320-2-1139	DEFLECTOR WELDMENT	32	1	905-21206	HYD. CYLINDER	62	1	320-3-2023	RACK GUIDE, MIDDLE
3	1	320-2-1103	CYLINDER PIN WELDMENT	33	2	903-03139 & 903-03062/89	#60-1 roller chain with connector link & half link	63	1	320-3-1954	DRIVE SPROCKET, IMPELLER SHEAR
4	1	905-21206	HYD. CYLINDER	34	6	900-06135	1/4" SERR. FLANGE NUT	64	1	320-3-1955	THRUST WASHER, IMPELLER SHEAR
5	1	320-3-1959	72" CUTTING EDGE	35	1	904-05579	OMT DRIVE MOTOR, CT	65	1	903-15693	External Retaining Rings 2"
6	1	320-2-1303	FAN WELDMENT	36	1	320-3-1092	KEY, 3/8 X 2	66	6	900-03436	3/8 X 3/4 SERR FLANGE BOLT GR5
7	2	320-2-1187	SKID PLATE WELDMENT	37	4	900-01227	1/2 X 1-3/4 GR 5 HHCS	67	3	320-3-1790 - QTY varies as required	SHIM, 2 BOLT 205-16 FLANGE BEARING
8	12	320-3-1445	BUSHING, SPACER	38	1	900-23043	3/16 X 1-1/2 COTTER PIN	68	1	320-3-1194	KEY, 1/4 X 2
9	2	900-25012	7/16 x 1 3/4 Lynch Pin	39	1	320-2-1302	IMPELLER SHEAR WLDT	69	2	900-16329	SET SCREW, 1/4NCX3/8
10	1	320-3-1984	CENTER DRIVE SHAFT	40	1	320-3-1983	ROTATION CHUTE RACK	70	2	900-16395	3/8NC X3/4 SKT SET SCREW CUP PT
11	3	901-01346	FLANGE BEARING 2 BOLT SALFH4 205-16GH4	41	1	320-2-1295	DISCHARGE CHUTE CT	71	1	320-1-0161	BOBCAT QUIJK-TACH KIT
12	1	320-2-1299	WELDMENT, AUGER LH	42	1	320-3-2018	SPACER, CHUTE ROTATE	72	1	905-15024	1/4-28 NF ST. GREASE ZERK
13	2	320-3-1286	FLIGHTING	43	1	320-2-1298	AUGER WLDT, RH	73	1	320-3-2065	GUIDE CAP
14	1	901-01347	SPROCKET, 6015 IDLER	44	1	320-3-2019	FLIGHTING	74	1	900-01233	1/2-13 X 2-1/2 GR 5 HHCS ZP
15	16	900-06139	FLANGE BEARING	45	1	320-3-2019	SPACER, CHUTE ROTATE	75	1	320-3-2068	PINION, CHUTE ROTATE
16	13	900-06143	FHPFT205-16	46	3	900-06504	1/2 - 13 X 2-1/4 HHCS GR 5	76	1	900-06276	1/2-13 JAM NUT ZP
17	2	900-01694	3/8 NC SERR FLANGE NUT	47	1	320-2-1297	1/2" NC TOPLOCK NUT	77	12	900-01109	3/8-16 X 1 GR 5 HHCS
18	6	900-01001	1/2 NC SERR FLANGE NUT	48	1	320-2-1296	SHEAR, DRIVEN	78	6	900-01671	Round Head Square Neck Bolt 5/16 x 1-1/2"
19	5	900-01668	3/8NC X 3/4 CARRIAGE BOLT	49	1	320-3-2020	TUBE SHEAR W/A - KEYED CHAIN STRIPPER	79	1	900-01701	3/8NC X 2-1/2 CARRIAGE BOLT G5
20	11	900-06137	1/4-20 x 1/2 GR 5 HHCS	50	3	320-3-1938	KEEPER, BEARING - 1/4"	80	2	900-01127	Hex Bolt - UNC (Regular Thread - Inch) 3/8 x 3-1/4"
21	1	320-3-1428	5/16 X 3/4 SHRT NECK CARR BOLT GR5	51	8	S8FH.5X1.25ZP	Hexagon Socket Flat Countersunk Head Cap Screw 1/2 X 1-1/4	81	3	320-3-1791	SHIM, 2 BOLT 205-16 FLANGE BEARING
22	2	900-29114	5/16 NC SERR FLANGE NUT	52	1	320-2-1217	DIRECTIONAL CONTROL VALVE	82	2	900-06584	Prevailing Torque Type Hex Nut 3/8"
23	10	900-11186	CHUTE DEFLECTOR PIN	53	2	900-01753	1/2NC X 2 CARRIAGE BOLT GR5	83	1	S8SH10-32X1.25ZP	Hexagon Socket Head Cap Screw ASTM A574 10-32 X 1-1/4"
24	2	900-01121	ROLL PIN, 1/8 X 3/4	54	1	900-01415	1/2NC X 2 CARRIAGE BOLT GR5	84	1	900-06579	Prevailing Torque Type Hex Nut No. 10 - 32
25	1	320-3-1450	3/4 SAE FLAT WASHER	55	1	900-06147	3/4-10 X 3-1/2 GR 5 HHCS				
26	6	900-11178 - QTY varies as required	CYLINDER BUSHING	56	1	900-01011	3/4 - 10 FLANGE NUT				
27	3	900-06500	3/8 SAE FLAT WASHER	57	1	900-06496	1/4NC X 1-1/4 HEX BOLT GR5				
28	2	901-01348	3/8 TOPLOCK NUT- UNC	58	1	320-2-1294	1/4-20 TOPLOCK NUT				
29	11	900-11035 - QTY varies as required	CYLINDRICAL BEARING	59	1	320-2-1301	MOUNT, CHUTE ROTATE				
30	10	6905346	FHSR205-16	60	2	900-01111	IMPELLER GUARD				
			1/2" USS FLATWASHER				3/8-16 X 1-1/4 GR 5 HHCS				
			WASHER								

This page is common to 37 & 39

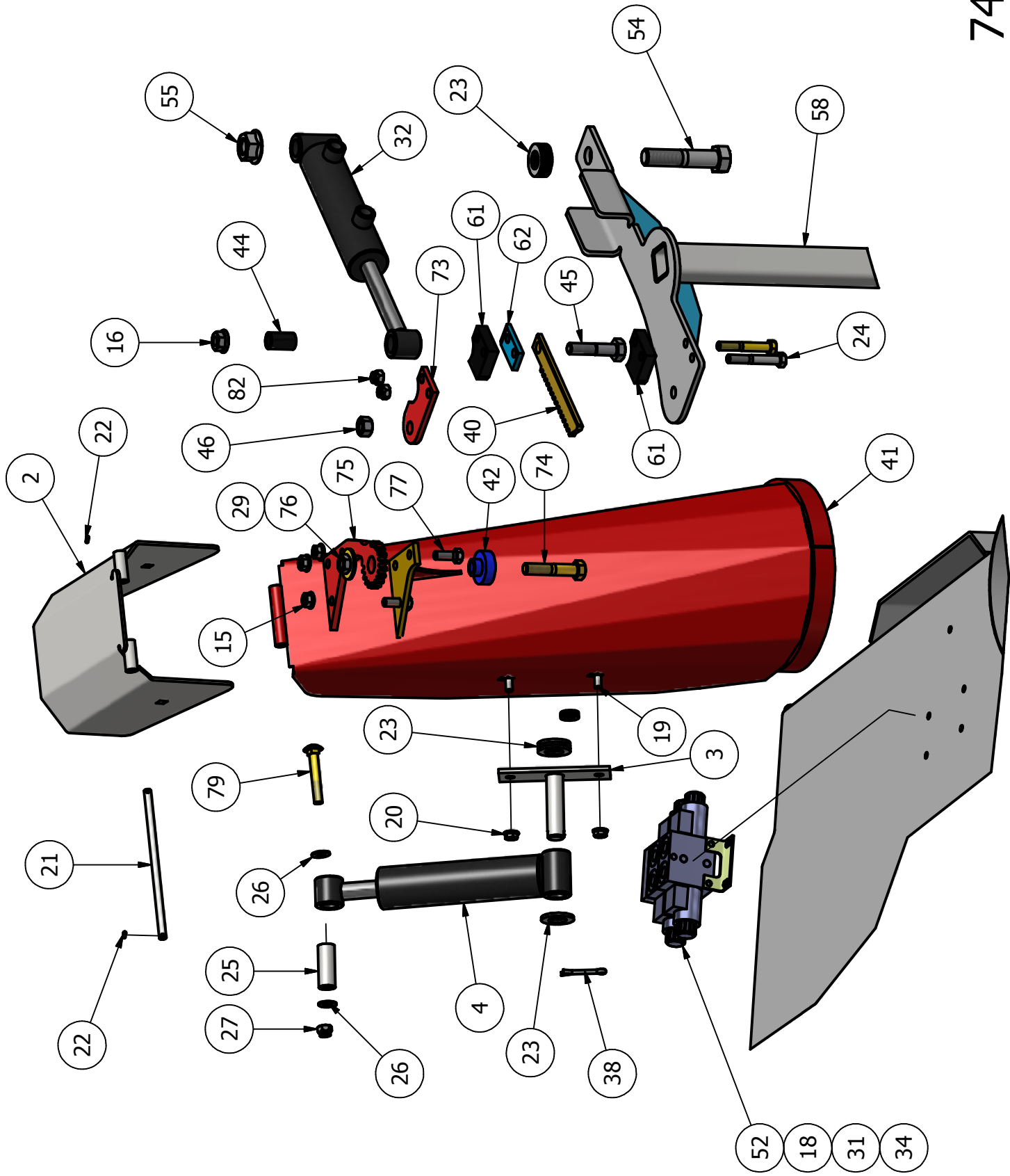
74" 2 of 7



PARTS LIST			PARTS LIST			PARTS LIST					
ITEM	QTY	PART NUMBER	DESCRIPTION	ITEM	QTY	PART NUMBER	DESCRIPTION	ITEM	QTY	PART NUMBER	DESCRIPTION
1	1	320-2-1300	MF WELDMENT, CT	31	1	320-3-1985	SHIELD, CONTROL VALVE	61	2	320-3-2022	RACK GUIDE
2	1	320-2-1139	DEFLECTOR WELDMENT	32	1	905-21206	HYD. CYLINDER	62	1	320-3-2023	RACK GUIDE, MIDDLE
3	1	320-2-1103	CYLINDER PIN WELDMENT	33	2	903-03139 & 903-03062/89	#60-1 roller chain with connector link & half link	63	1	320-3-1954	DRIVE SPROCKET, IMPELLER SHEAR
4	1	905-21206	HYD. CYLINDER	34	6	900-06135	1/4" SERR. FLANGE NUT	64	1	320-3-1955	THRUST WASHER, IMPELLER SHEAR
5	1	320-3-1959	72" CUTTING EDGE	35	1	904-05579	OMT DRIVE MOTOR, CT	65	1	903-15693	External Retaining Rings 2"
6	1	320-2-1303	FAN WELDMENT	36	1	320-3-1092	KEY, 3/8 X 2	66	6	900-03436	3/8 X 3/4 SERR FLANGE BOLT GR5
7	2	320-2-1187	SKID PLATE WELDMENT	37	4	900-01227	1/2 X 1-3/4 GR 5 HHCS	67	3	320-3-1790 - QTY varies as required	SHIM, 2 BOLT 205-16 FLANGE BEARING
8	12	320-3-1445	BUSHING, SPACER	38	1	900-23043	3/16 X 1-1/2 COTTER PIN	68	1	320-3-1194	KEY, 1/4 X 2
9	2	900-25012	7/16 x 1 3/4 Lynch Pin	39	1	320-2-1302	IMPELLER SHEAR WLDT	69	2	900-16329	SET SCREW, 1/4NCX3/8
10	1	320-3-1984	CENTER DRIVE SHAFT	40	1	320-3-1983	ROTATION CHUTE RACK	70	2	900-16395	3/8NC X3/4 SKT SET SCREW CUP PT
11	3	901-01346	FLANGE BEARING 2 BOLT SALFH4 205-16GH4	41	1	320-2-1295	DISCHARGE CHUTE CT	71	1	320-1-0161	BOBCAT QUIJK-TACH KIT
12	1	320-2-1299	WELDMENT, AUGER LH	42	1	320-3-2018	SPACER, CHUTE ROTATE	72	1	905-15024	1/4-28 NF ST. GREASE ZERK
13	2	320-3-1286	FLIGHTING	43	1	320-2-1298	AUGER WLDT, RH	73	1	320-3-2065	GUIDE CAP
14	1	901-01347	SPROCKET, 6015 IDLER	44	1	320-3-2019	FLIGHTING	74	1	900-01233	1/2-13 X 2-1/2 GR 5 HHCS ZP
15	16	900-06139	FLANGE BEARING	45	1	320-3-2019	SPACER, CHUTE ROTATE	75	1	320-3-2068	PINION, CHUTE ROTATE
16	13	900-06143	FHPFTZ205-16	46	3	900-06504	1/2 - 13 X 2-1/4 HHCS GR 5	76	1	900-06276	1/2-13 JAM NUT ZP
17	2	900-01694	3/8 NC SERR FLANGE NUT	47	1	320-2-1297	1/2" NC TOPLOCK NUT	77	12	900-01109	3/8-16 X 1 GR 5 HHCS
18	6	900-01001	1/2 NC SERR FLANGE NUT	48	1	320-2-1296	SHEAR, DRIVEN	78	6	900-01671	Round Head Square Neck Bolt 5/16 x 1-1/2"
19	5	900-01668	3/8NC X 3/4 CARRIAGE BOLT	49	1	320-3-2020	TUBE SHEAR W/A - KEYED CHAIN STRIPPER	79	1	900-01701	3/8NC X 2-1/2 CARRIAGE BOLT G5
20	11	900-06137	1/4-20 x 1/2 GR 5 HHCS	50	3	320-3-1938	KEEPER, BEARING - 1/4"	80	2	900-01127	Hex Bolt - UNC (Regular) Thread - Inch) 3/8 x 3-1/4"
21	1	320-3-1428	5/16 X 3/4 SHRT NECK CARR BOLT GR5	51	8	S8FH.5X1.25ZP	Hexagon Socket Flat Countersunk Head Cap Screw 1/2 X 1-1/4	81	3	320-3-1791	SHIM, 2 BOLT 205-16 FLANGE BEARING
22	2	900-29114	5/16 NC SERR FLANGE NUT	52	1	320-2-1217	DIRECTIONAL CONTROL VALVE	82	2	900-06584	Prevailing Torque Type Hex Nut 3/8"
23	10	900-11186	CHUTE DEFLECTOR PIN	53	2	900-01753	1/2NC X 2 CARRIAGE BOLT GR5	83	1	S8SH10-32X1.25ZP	Hexagon Socket Head Cap Screw ASTM A574 10-32 X 1-1/4"
24	2	900-01121	ROLL PIN, 1/8 X 3/4	54	1	900-01415	3/4-10 X 3-1/2 GR 5 HHCS	84	1	900-06579	Prevailing Torque Type Hex Nut No. 10 - 32
25	1	320-3-1450	3/4 SAE FLAT WASHER	55	1	900-06147	3/4 - 10 FLANGE NUT				
26	6	900-11178 - QTY varies as required	CYLINDER BUSHING	56	1	900-01011	1/4NC X 1-1/4 HEX BOLT GR5				
27	3	900-06500	3/8 SAE FLAT WASHER	57	1	900-06496	1/4-20 TOPLOCK NUT				
28	2	901-01348	3/8 TOPLOCK NUT- UNC	58	1	320-2-1294	MOUNT, CHUTE ROTATE				
29	11	900-11035 - QTY varies as required	CYLINDRICAL BEARING	59	1	320-2-1301	IMPELLER GUARD				
30	10	6905346	FHSR205-16	60	2	900-01111	3/8-16 X 1-1/4 GR 5 HHCS				
			1/2" USS FLATWASHER								
			WASHER								

This page is common to 35 & 39

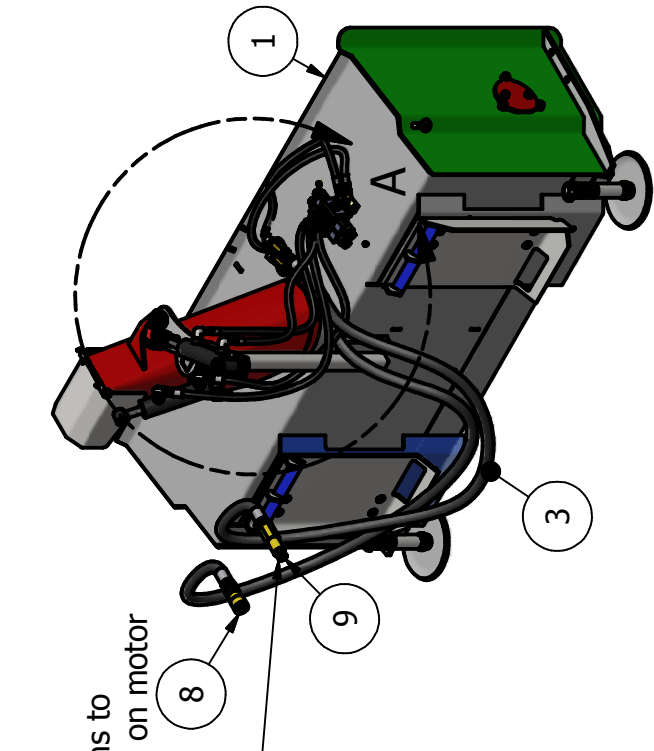
74"
4 of 7



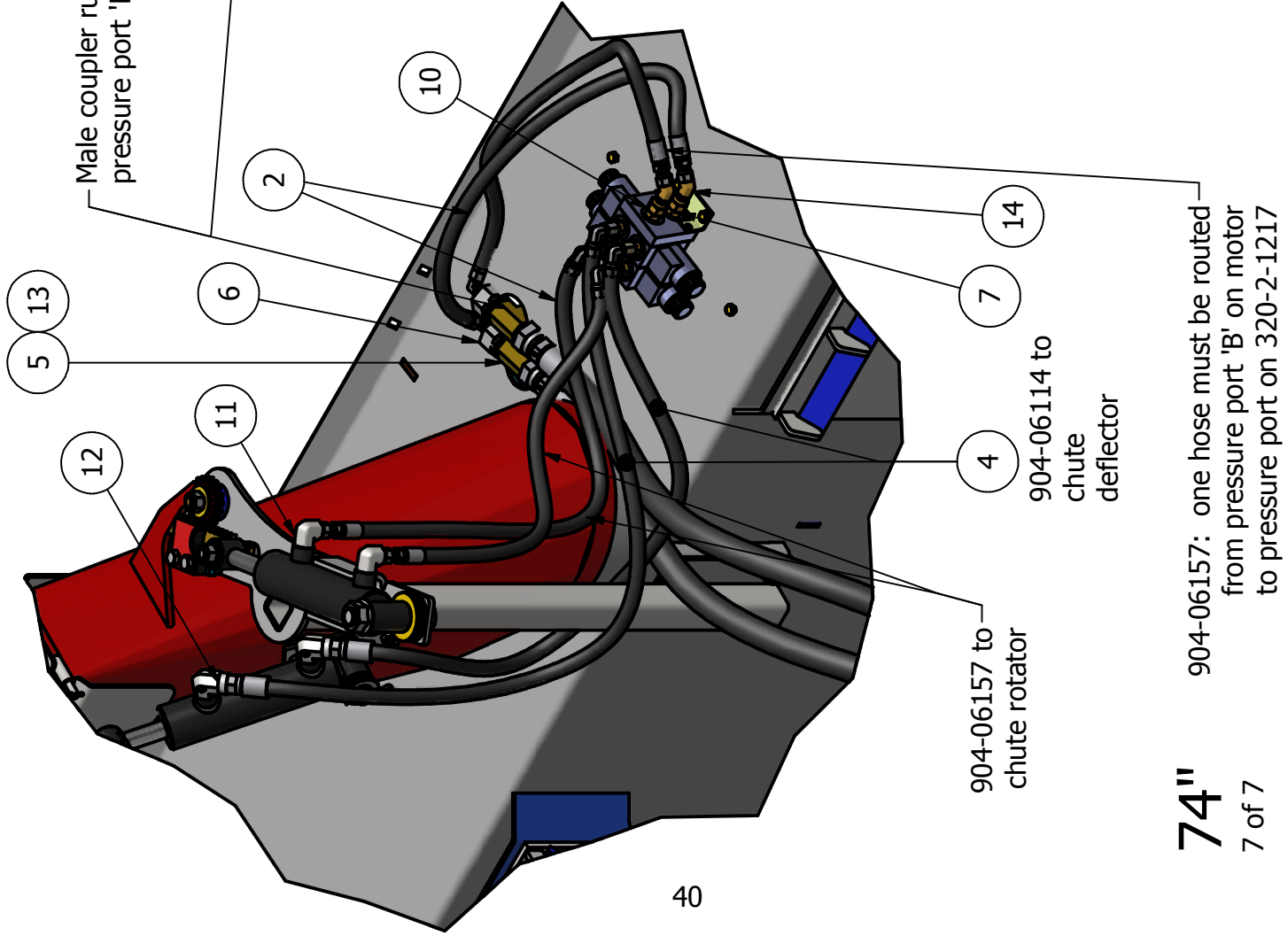
PARTS LIST			PARTS LIST			PARTS LIST					
ITEM	QTY	PART NUMBER	DESCRIPTION	ITEM	QTY	PART NUMBER	DESCRIPTION	ITEM	QTY	PART NUMBER	DESCRIPTION
1	1	320-2-1300	MF WELDMENT, CT	31	1	320-3-1985	SHIELD, CONTROL VALVE	61	2	320-3-2022	RACK GUIDE
2	1	320-2-1139	DEFLECTOR WELDMENT	32	1	905-21206	HYD. CYLINDER	62	1	320-3-2023	RACK GUIDE, MIDDLE
3	1	320-2-1103	CYLINDER PIN WELDMENT	33	2	903-03139 & 903-03062/89	#60-1 roller chain with connector link & half link	63	1	320-3-1954	DRIVE SPROCKET, IMPELLER SHEAR
4	1	905-21206	HYD. CYLINDER	34	6	900-06135	1/4" SERR. FLANGE NUT	64	1	320-3-1955	THRUST WASHER, IMPELLER SHEAR
5	1	320-3-1959	72" CUTTING EDGE	35	1	904-05579	OMT DRIVE MOTOR, CT	65	1	903-15693	External Retaining Rings 2"
6	1	320-2-1303	FAN WELDMENT	36	1	320-3-1092	KEY, 3/8 X 2	66	6	900-03436	3/8 X 3/4 SERR FLANGE BOLT GR5
7	2	320-2-1187	SKID PLATE WELDMENT	37	4	900-01227	1/2 X 1-3/4 GR 5 HHCS	67	3	320-3-1790 - QTY varies as required	SHIM, 2 BOLT 205-16 FLANGE BEARING
8	12	320-3-1445	BUSHING, SPACER	38	1	900-23043	3/16 X 1-1/2 COTTER PIN	68	1	320-3-1194	KEY, 1/4 X 2
9	2	900-25012	7/16 x 1 3/4 Lynch Pin	39	1	320-2-1302	IMPELLER SHEAR WLDT	69	2	900-16329	SET SCREW, 1/4NCX3/8
10	1	320-3-1984	CENTER DRIVE SHAFT	40	1	320-3-1983	ROTATION CHUTE RACK	70	2	900-16395	3/8NC X3/4 SKT SET SCREW CUP PT
11	3	901-01346	FLANGE BEARING 2 BOLT	41	1	320-2-1295	DISCHARGE CHUTE CT	71	1	320-1-0161	BOBCAT QUIJK-TACH KIT
12	1	320-2-1299	WELDMENT, AUGER LH	42	1	320-3-2018	SPACER, CHUTE ROTATE	72	1	905-15024	1/4-28 NF ST. GREASE ZERK
13	2	320-3-1286	FLIGHTING	43	1	320-2-1298	AUGER WLDT, RH	73	1	320-3-2065	GUIDE CAP
14	1	901-01347	SPROCKET, 6015 IDLER	44	1	320-3-2019	FLIGHTING	74	1	900-01233	1/2-13 X 2-1/2 GR 5 HHCS ZP
15	16	900-06139	FLANGE BEARING	45	1	900-01231	SPACER, CHUTE ROTATE	75	1	320-3-2068	PINION, CHUTE ROTATE
16	13	900-06143	FHPFTZ205-16	46	3	900-06504	1/2 - 13 X 2-1/4 HHCS GR 5	76	1	900-06276	1/2-13 JAM NUT ZP
17	2	900-01694	3/8 NC SERR FLANGE NUT	47	1	320-2-1297	1/2" NC TOPLOCK NUT	77	12	900-01109	3/8-16 X 1 GR 5 HHCS
18	6	900-01001	1/2 NC SERR FLANGE NUT	48	1	320-2-1296	SHEAR, DRIVEN	78	6	900-01671	Round Head Square Neck Bolt 5/16 x 1-1/2"
19	5	900-01668	3/8NC X 3/4 CARRIAGE BOLT	49	1	320-3-2020	TUBE SHEAR W/A - KEYED CHAIN STRIPPER	79	1	900-01701	3/8NC X 2-1/2 CARRIAGE BOLT G5
20	11	900-06137	1/4-20 x 1/2 GR 5 HHCS	50	3	320-3-1938	KEEPER, BEARING - 1/4"	80	2	900-01127	Hex Bolt - UNC (Regular Thread - Inch) 3/8 x 3-1/4"
21	1	320-3-1428	5/16 X 3/4 SHRT NECK CARR BOLT GR5	51	8	S8FH.5X1.25ZP	Hexagon Socket Flat Countersunk Head Cap Screw 1/2 X 1-1/4	81	3	320-3-1791	SHIM, 2 BOLT 205-16 FLANGE BEARING
22	2	900-29114	5/16 NC SERR FLANGE NUT	52	1	320-2-1217	DIRECTIONAL CONTROL VALVE	82	2	900-06584	Prevailing Torque Type Hex Nut 3/8"
23	10	900-11186	CHUTE DEFLECTOR PIN	53	2	900-01753	1/2NC X 2 CARRIAGE BOLT GR5	83	1	S8SH10-32X1.25ZP	Hexagon Socket Head Cap Screw ASTM A574 10-32 X 1-1/4"
24	2	900-01121	ROLL PIN, 1/8 X 3/4	54	1	900-01415	3/4-10 X 3-1/2 GR 5 HHCS	84	1	900-06579	Prevailing Torque Type Hex Nut No. 10 - 32
25	1	320-3-1450	3/4 SAE FLAT WASHER	55	1	900-06147	3/4 - 10 FLANGE NUT				
26	6	900-11178 - QTY varies as required	CYLINDER BUSHING	56	1	900-01011	1/4NC X 1-1/4 HEX BOLT GR5				
27	3	900-06500	3/8 SAE FLAT WASHER	57	1	900-06496	1/4-20 TOPLOCK NUT				
28	2	901-01348	3/8 SAE FLAT WASHER	58	1	320-2-1294	MOUNT, CHUTE ROTATE				
29	11	900-11035 - QTY varies as required	CYLINDRICAL BEARING	59	1	320-2-1301	IMPELLER GUARD				
30	10	6905346	FHSR205-16	60	2	900-01111	3/8-16 X 1-1/4 GR 5 HHCS				
			1/2" USS FLATWASHER								
			WASHER								

This page is common to 35 & 37

74" 6 of 7



Male coupler runs to pressure port 'B' on motor

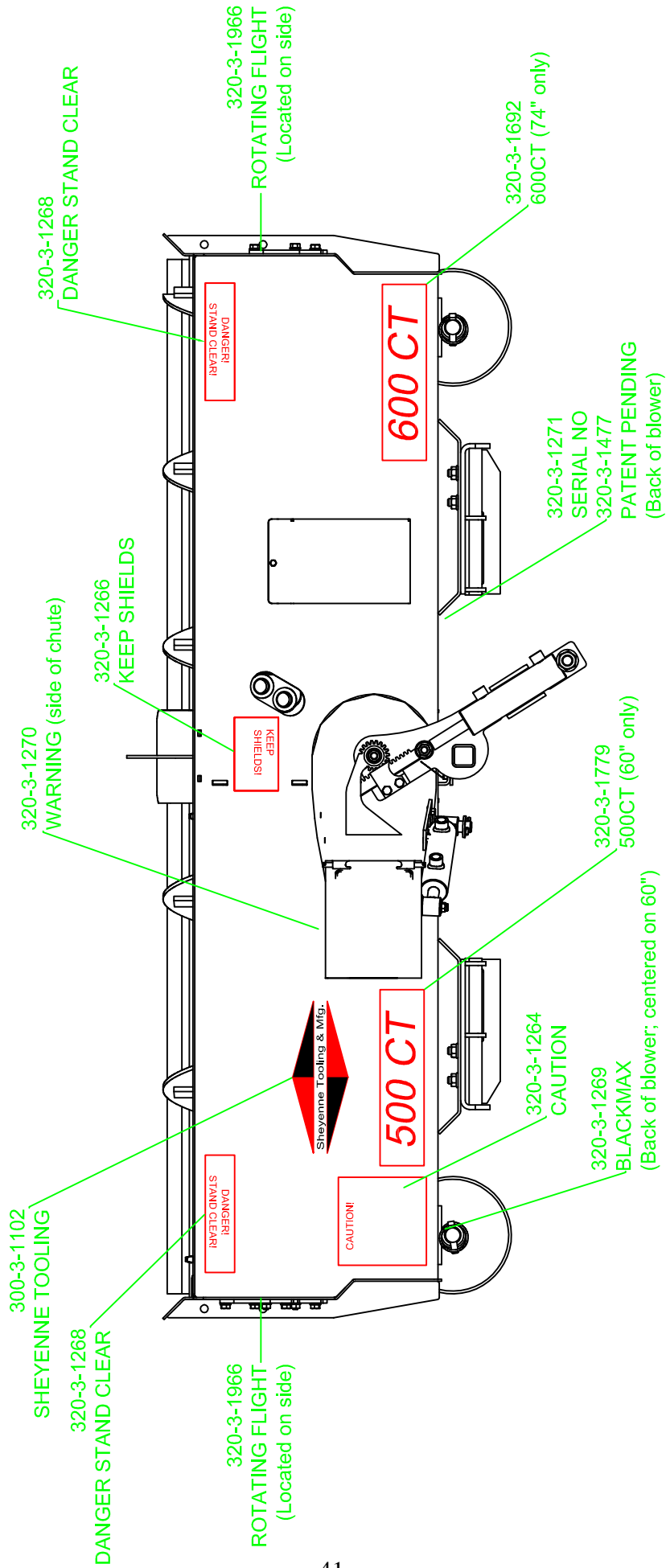


904-06157 to chute rotator

904-06114 to chute deflector

904-06157: one hose must be routed from pressure port 'B' on motor to pressure port on 320-2-1217

ITEM	QTY	PART NUMBER	DESCRIPTION
1	1	320-0-0631	SNOWBLOWER, 74" CT
2	4	904-06157	1/4" HOSE, 6FJX90-6FJX-26.5"
3	2	904-06149	3/4" HOSE, 12FJX-12MB-84"
4	2	904-06114	1/4" HOSE, 6MPX-6FJX90-57.5"
5	2	904-08146	Branch Tee, 12MJ-12MJ-12FJX
6	2	904-08110	ADAPTER, 12FJ-6MJ
7	5	904-05513	STRT ADAPTER, 6MB-6MJ
8	1	7246790	HYD COUPLER FEMALE
9	1	7246777	HYD COUPLER MALE
10	1	904-08105	RESTRICTOR, 6400-06-06-O-R.047
11	2	904-08036	ELBOW, 6MJ-6MP90
12	2	904-08004	ELBOW, 6MP-6FP-90
13	2	904-08030	ADAPTER, 12MJ-12MB
14	2	904-08150	ELBOW, 6MJ-6FJX45



60" / Model 500
And
74" / Model 600

Decal Locations



DECALS

ITEM	QTY – 60"	QTY - 74"	PART NO.	DESCRIPTION
1	2	2	320-3-1268	Decal, Danger Stand Clear
2	1	1	320-3-1264	Decal, Caution
3	1	-	320-3-1779	Decal, 500 CT - 60"
4	-	1	320-3-1692	Decal, 600 CT - 74"
5	1	1	320-3-1266	Decal, Keep Shields in Place
6	1	1	320-3-1270	Decal, Warning
7	1	1	320-3-1269	Decal, Black Max
8	2	2	320-3-1966	Decal, Rotating Flighting Hazard
9	1	1	320-3-1477	Decal, Patent Pending
10	1	1	300-3-1102	Decal, STAM Logo

INDEX

Part Number	Page
6672960	33
6672960	40
6674688	33
6674688	40
6905346	28, 30, 32
6905346	35, 37, 39
300-3-1102	42
320-1-0161	28, 30, 32
320-1-0161	35, 37, 39
320-2-1069	15
320-2-1076	15
320-2-1103	28, 30, 32
320-2-1103	35, 37, 39
320-2-1139	28, 30, 32
320-2-1139	35, 37, 39
320-2-1187	28, 30, 32
320-2-1187	35, 37, 39
320-2-1217	28, 30, 32
320-2-1217	35, 37, 39
320-2-1224	15
320-2-1294	28, 30, 32
320-2-1294	35, 37, 39
320-2-1295	28, 30, 32
320-2-1295	35, 37, 39
320-2-1296	28, 30, 32
320-2-1296	35, 37, 39
320-2-1297	28, 30, 32
320-2-1297	35, 37, 39
320-2-1298	35, 37, 39
320-2-1299	35, 37, 39
320-2-1300	35, 37, 39
320-2-1301	28, 30, 32
320-2-1301	35, 37, 39
320-2-1302	35, 37, 39
320-2-1303	28, 30, 32

Part Number	Page
320-2-1303	35, 37, 39
320-2-1304	28, 30, 32
320-2-1305	28, 30, 32
320-2-1306	28, 30, 32
320-2-1307	28, 30, 32
320-3-1092	35, 37, 39
320-3-1194	28, 30, 32
320-3-1194	35, 37, 39
320-3-1264	42
320-3-1266	42
320-3-1268	42
320-3-1269	42
320-3-1270	42
320-3-1271	3
320-3-1286	28, 30, 32
320-3-1286	35, 37, 39
320-3-1428	28, 30, 32
320-3-1428	35, 37, 39
320-3-1445	28, 30, 32
320-3-1445	35, 37, 39
320-3-1450	28, 30, 32
320-3-1450	35, 37, 39
320-3-1477	42
320-3-1692	42
320-3-1779	42
320-3-1790	28, 30, 32
320-3-1790	35, 37, 39
320-3-1791	28, 30, 32
320-3-1791	35, 37, 39
320-3-1938	28, 30, 32
320-3-1938	35, 37, 39
320-3-1954	28, 30, 32
320-3-1954	35, 37, 39
320-3-1955	28, 30, 32
320-3-1955	35, 37, 39

Part Number	Page
320-3-1959	35, 37, 39
320-3-1966	42
320-3-1983	28, 30, 32
320-3-1983	35, 37, 39
320-3-1984	35, 37, 39
320-3-1985	28, 30, 32
320-3-1985	35, 37, 39
320-3-2018	28, 30, 32
320-3-2018	35, 37, 39
320-3-2019	28, 30, 32
320-3-2019	35, 37, 39
320-3-2020	28, 30, 32
320-3-2020	35, 37, 39
320-3-2022	28, 30, 32
320-3-2022	35, 37, 39
320-3-2023	28, 30, 32
320-3-2023	35, 37, 39
320-3-2040	28, 30, 32
320-3-2041	28, 30, 32
320-3-2065	28, 30, 32
320-3-2065	35, 37, 39
320-3-2068	28, 30, 32
320-3-2068	35, 37, 39
900-01001	28, 30, 32
900-01001	35, 37, 39
900-01011	28, 30, 32
900-01011	35, 37, 39
900-01109	28, 30, 32
900-01109	35, 37, 39
900-01111	28, 30, 32
900-01111	35, 37, 39
900-01121	28, 30, 32
900-01121	35, 37, 39
900-01127	28, 30, 32
900-01127	35, 37, 39

INDEX

Part Number	Page
900-01225	28, 30, 32
900-01231	28, 30, 32
900-01231	35, 37, 39
900-01233	28, 30, 32
900-01233	35, 37, 39
900-01415	28, 30, 32
900-01415	35, 37, 39
900-01668	28, 30, 32
900-01668	35, 37, 39
900-01671	28, 30, 32
900-01671	35, 37, 39
900-01694	28, 30, 32
900-01694	35, 37, 39
900-01701	28, 30, 32
900-01701	35, 37, 39
900-01753	28, 30, 32
900-01753	35, 37, 39
900-03436	28, 30, 32
900-03436	35, 37, 39
900-06135	28, 30, 32
900-06135	35, 37, 39
900-06137	28, 30, 32
900-06137	35, 37, 39
900-06139	28, 30, 32
900-06139	35, 37, 39
900-06143	28, 30, 32
900-06143	35, 37, 39
900-06147	28, 30, 32
900-06147	35, 37, 39
900-06276	28, 30, 32
900-06276	35, 37, 39
900-06496	28, 30, 32
900-06496	35, 37, 39
900-06500	28, 30, 32
900-06500	35, 37, 39

Part Number	Page
900-06504	28, 30, 32
900-06504	35, 37, 39
900-06579	28, 30, 32
900-06579	35, 37, 39
900-06584	28, 30, 32
900-06584	35, 37, 39
900-11035	28, 30, 32
900-11035	35, 37, 39
900-11178	28, 30, 32
900-11178	35, 37, 39
900-11186	28, 30, 32
900-11186	35, 37, 39
900-16329	28, 30, 32
900-16329	35, 37, 39
900-16361	28, 30, 32
900-16395	35, 37, 39
900-23043	28, 30, 32
900-23043	35, 37, 39
900-25012	28, 30, 32
900-25012	35, 37, 39
900-29114	28, 30, 32
900-29114	35, 37, 39
901-01346	28, 30, 32
901-01346	35, 37, 39
901-01347	28, 30, 32
901-01347	35, 37, 39
901-01348	28, 30, 32
901-01348	35, 37, 39
903-03062	35, 37, 39
903-03062/89	28, 30, 32
903-03139	28, 30, 32
903-03139	35, 37, 39
903-15693	28, 30, 32
903-15693	35, 37, 39
903-19095	15

Part Number	Page
904-05513	33
904-05513	40
904-05576	17
904-05578	28, 30, 32
904-05579	35, 37, 39
904-05582	17
904-06061	40
904-06066	40
904-06114	33
904-06114	40
904-06116	40
904-06149	33
904-06157	33
904-08004	33
904-08030	40
904-08036	33
904-08038	40
904-08040	33
904-08104	40
904-08105	33
904-08105	40
904-08110	33
904-08110	40
904-08146	33
904-08148	33
905-11038	35, 37, 39
905-15024	28, 30, 32
905-15024	35, 37, 39
905-21206	28, 30, 32
905-21206	35, 37, 39
905-21206	35, 37, 39
S8FH.5X1.25	28, 30, 32
S8FH.5X1.25ZP	35, 37, 39
S8SH10-32X1.25ZP	28, 30, 32
S8SH10-32X1.25ZP	35, 37, 39



701 Lenham Ave. - P.O. Box 647

Cooperstown, ND 58425

Office (701) 797-2700

Fax (701) 797-2584

Toll Free (800) 797-1883

www.sheyennemfg.com